

PART NUMBER		PRODUCT SPECIFICATIONS				
BLACK OXIDE STEEL	STAINLESS STEEL	BORE SIZE	2ND BORE SIZE	OD	LENGTH	CLAMP SCREW
G2SCC-025-025	G2SCC-025-025-S	1/4	1/4	11/16	1	4-40
G2SCC-037-025	G2SCC-037-025-S	3/8	1/4	7/8	1 3/8	6-32
G2SCC-037-037	G2SCC-037-037-S	3/8	3/8	7/8	1 3/8	6-32
G2SCC-050-037	G2SCC-050-037-S	1/2	3/8	1 1/8	1 3/4	8-32
G2SCC-050-050	G2SCC-050-050-S	1/2	1/2	1 1/8	1 3/4	8-32
G2SCC-062-050	G2SCC-062-050-S	5/8	1/2	1 5/16	2	10-32
G2SCC-062-062	G2SCC-062-062-S	5/8	5/8	1 5/16	2	10-32
G2SCC-075-050	G2SCC-075-050-S	3/4	1/2	1 1/2	2 1/4	1/4-28
G2SCC-075-062	G2SCC-075-062-S	3/4	5/8	1 1/2	2 1/4	1/4-28
G2SCC-075-075	G2SCC-075-075-S	3/4	3/4	1 1/2	2 1/4	1/4-28
G2SCC-087-062	G2SCC-087-062-S	7/8	5/8	1 5/8	2 1/4	1/4-28
G2SCC-087-087	G2SCC-087-087-S	7/8	7/8	1 5/8	2 1/4	1/4-28
G2SCC-100-050	G2SCC-100-050-S	1	1/2	1 3/4	3	1/4-28
G2SCC-100-075	G2SCC-100-075-S	1	3/4	1 3/4	3	1/4-28
G2SCC-100-100	G2SCC-100-100-S	1	1	1 3/4	3	1/4-28
G2SCC-112-100	G2SCC-112-100-S	1 1/8	1	1 7/8	3 1/8	1/4-28
G2SCC-112-112	G2SCC-112-112-S	1 1/8	1 1/8	1 7/8	3 1/8	1/4-28
G2SCC-125-100	G2SCC-125-100-S	1 1/4	1	2 1/16	3 1/4	1/4-28
G2SCC-125-125	G2SCC-125-125-S	1 1/4	1 1/4	2 1/16	3 1/4	1/4-28
G2SCC-137-100	G2SCC-137-100-S	1 3/8	1	2 1/2	3 5/8	1/4-28
G2SCC-137-137	G2SCC-137-137-S	1 3/8	1 3/8	2 1/2	3 5/8	5/16-24
G2SCC-150-100	G2SCC-150-100-S	1 1/2	1	2 5/8	3 7/8	5/16-24
G2SCC-150-150	G2SCC-150-150-S	1 1/2	1 1/2	2 5/8	3 7/8	5/16-24
G2SCC-175-175		1 3/4	1 3/4	3 1/8	4 1/2	3/8-24
G2SCC-200-200	G2SCC-200-200-S	2	2	3 3/8	4 7/8	3/8-24



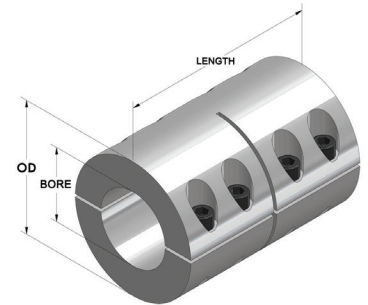
G2SCC-SERIES

TWO-PIECE

High axial load and torque capacity

Does not mar the shaft

Other sizes and materials available



PART NUMBER		PRODUCT SPECIFICATIONS						
BLACK OXIDE STEEL	STAINLESS STEEL	BORE SIZE	2ND BORE SIZE	OD	LENGTH	CLAMP SCREW	KEYWAY SIZE	2ND KEYWAY SIZE
G2SCC-037-037KW		3/8	3/8	7/8	1 3/8	6-32	3/32	3/32
G2SCC-050-050KW	G2SCC050-050SKW	1/2	1/2	1 1/8	1 3/4	8-32	1/8	1/8
G2SCC-062-050KW	G2SCC062-050SKW	5/8	1/2	1 5/16	2	10-32	3/16	1/8
G2SCC-062-062KW	G2SCC062-062SKW	5/8	5/8	1 5/16	2	10-32	3/16	3/16
G2SCC-075-050KW	G2SCC075-050SKW	3/4	1/2	1 1/2	2 1/4	1/4-28	3/16	1/8
G2SCC-075-062KW	G2SCC075-062SKW	3/4	5/8	1 1/2	2 1/4	1/4-28	3/16	3/16
G2SCC-075-075KW	G2SCC075-075SKW	3/4	3/4	1 1/2	2 1/4	1/4-28	3/16	3/16
G2SCC-087-062KW	G2SCC087-062SKW	7/8	5/8	1 5/8	2 1/2	1/4-28	3/16	3/16
G2SCC-087-087KW	G2SCC087-087SKW	7/8	7/8	1 5/8	2 1/2	1/4-28	3/16	3/16
G2SCC-100-050KW	G2SCC100-050SKW	1	1/2	1 3/4	3	1/4-28	1/4	1/8
G2SCC-100-075KW	G2SCC100-075SKW	1	3/4	1 3/4	3	1/4-28	1/4	3/16
G2SCC-100-100KW	G2SCC100-100SKW	1	1	1 3/4	3	1/4-28	1/4	1/4
G2SCC-112-100KW	G2SCC112-100SKW	1 1/8	1	1 7/8	3 1/8	1/4-28	1/4	1/4
G2SCC-112-112KW	G2SCC112-112SKW	1 1/8	1 1/8	1 7/8	3 1/8	1/4-28	1/4	1/4
G2SCC-125-100KW	G2SCC125-100SKW	1 1/4	1	2 1/16	3 1/4	1/4-28	1/4	1/4
G2SCC-125-125KW	G2SCC125-125SKW	1 1/4	1 1/4	2 1/16	3 1/4	1/4-28	1/4	1/4
G2SCC-137-100KW	G2SCC137-100SKW	1 3/8	1	2 1/2	3 5/8	1/4-28	5/16	1/4
G2SCC-137-137KW	G2SCC137-137SKW	1 3/8	1 3/8	2 1/2	3 5/8	1/4-28	5/16	5/16
G2SCC-150-100KW	G2SCC150-100SKW	1 1/2	1	2 5/8	3 7/8	5/16-24	3/8	1/4
G2SCC-150-150KW	G2SCC150-150SKW	1 1/2	1 1/2	2 5/8	3 7/8	5/16-24	3/8	3/8
G2SCC-175-175KW		1 3/4	1 3/4	3 1/8	4 1/2	3/8-24	3/8	3/8
G2SCC-200-200KW	G2SCC200-200SKW	2	2	3 3/8	4 7/8	3/8-24	1/2	1/2

G2SCC-KW-SERIES

TWO-PIECE WITH KEYWAY

High axial load and torque capacity

Does not mar the shaft

Other sizes and materials available

