

# TWO-PIECE CLAMPING COLLARS

PART NUMBER				PRODUCT SPECIFICATIONS			
BLACK OXIDE STEEL	STAINLESS STEEL	ALUMINUM	ZINC	BORE SIZE	OD	WIDTH	CLAMP SCREW
G2SC-012-B	G2SC-012-SS			1/8	1/2	1/4	4-40
G2SC-018-B	G2SC-018-SS			3/16	5/8	5/16	4-40
G2SC-025-B	G2SC-025-SS	G2SC-025-A		1/4	11/16	5/16	4-40
G2SC-031-B	G2SC-031-SS	G2SC-031-A		5/16	11/16	5/16	4-40
G2SC-037-B	G2SC-037-SS	G2SC-037-A		3/8	7/8	11/32	6-32
G2SC-043-B	G2SC-043-SS			7/16	15/16	3/8	6-32
G2SC-050-B	G2SC-050-SS	G2SC-050-A		1/2	1 1/8	13/32	8-32
G2SC-056-B	G2SC-056-SS			9/16	1 1/4	7/16	10-32
G2SC-062-B	G2SC-062-SS	G2SC-062-A		5/8	1 5/16	7/16	10-32
G2SC-068-B	G2SC-068-SS			11/16	1 31/80	7/16	10-32
G2SC-075-B	G2SC-075-SS	G2SC-075-A	G2SC-075-Z	3/4	1 1/2	1/2	1/4-28
G2SC-081-B	G2SC-081-SS			13/16	1 5/8	1/2	1/4-28
G2SC-087-B	G2SC-087-SS	G2SC-087-A		7/8	1 5/8	1/2	1/4-28
G2SC-093-B	G2SC-093-SS			15/16	1 3/4	1/2	1/4-28
G2SC-100-B	G2SC-100-SS	G2SC-100-A	G2SC-100-Z	1	1 3/4	1/2	1/4-28
G2SC-106-B	G2SC-106-SS			1 1/16	1 7/8	1/2	1/4-28
G2SC-112-B	G2SC-112-SS	G2SC-112-A		1 1/8	1 7/8	1/2	1/4-28
G2SC-118-B	G2SC-118-SS			1 3/16	2 1/16	1/2	1/4-28
G2SC-125-B	G2SC-125-SS	G2SC-125-A	G2SC-125-Z	1 1/4	2 1/16	1/2	1/4-28
G2SC-131-B	G2SC-131-SS			1 5/16	2 1/8	9/16	1/4-28
G2SC-137-B	G2SC-137-SS			1 3/8	2 1/4	9/16	1/4-28
G2SC-143-B	G2SC-143-SS			1 7/16	2 1/4	9/16	1/4-28
G2SC-150-B	G2SC-150-SS	G2SC-150-A	G2SC-150-Z	1 1/2	2 3/8	9/16	1/4-28
G2SC-156-B	G2SC-156-SS			1 9/16	2 3/8	9/16	1/4-28
G2SC-162-B	G2SC-162-SS			1 5/8	2 5/8	11/16	5/16-24
G2SC-168-B	G2SC-168-SS			1 11/16	2 3/4	11/16	5/16-24
G2SC-175-B	G2SC-175-SS	G2SC-175-A		1 3/4	2 3/4	11/16	5/16-24
G2SC-181-B	G2SC-181-SS			1 13/16	2 7/8	11/16	5/16-24
G2SC-187-B	G2SC-187-SS	G2SC-187-A		1 7/8	2 7/8	11/16	5/16-24
G2SC-193-B	G2SC-193-SS	G2SC-193-A		1 15/16	3	11/16	5/16-24
G2SC-200-B	G2SC-200-SS	G2SC-200-A		2	3	11/16	5/16-24
G2SC-206-B				2 1/16	3 1/4	3/4	5/16-24
G2SC-212-B	G2SC-212-SS			2 1/8	3 1/4	3/4	5/16-24
G2SC-218-B	G2SC-218-SS			2 3/16	3 1/4	3/4	5/16-24
G2SC-225-B	G2SC-225-SS			2 1/4	3 1/4	3/4	5/16-24
G2SC-231-B				2 5/16	3 1/2	3/4	5/16-24
G2SC-237-B	G2SC-237-SS			2 3/8	3 1/2	3/4	5/16-24
G2SC-243-B	G2SC-243-SS			2 7/16	3 1/2	3/4	5/16-24
G2SC-250-B	G2SC-250-SS	G2SC-250-A		2 1/2	3 3/4	7/8	3/8-24
G2SC-256-B				2 9/16	3 7/8	7/8	3/8-24
G2SC-262-B	G2SC-262-SS			2 5/8	3 7/8	7/8	3/8-24
G2SC-268-B				2 11/16	4	7/8	3/8-24
G2SC-275-B	G2SC-275-SS			2 3/4	4	7/8	3/8-24
G2SC-281-B				2 13/16	4 1/4	7/8	3/8-24
G2SC-287-B	G2SC-287-SS			2 7/8	4 1/4	7/8	3/8-24
G2SC-293-B	G2SC-293-SS			2 15/16	4 1/4	7/8	3/8-24
G2SC-300-B	G2SC-300-SS	G2SC-300-A		3	4 1/4	7/8	3/8-24
G2SC-318-B				3 3/16	4 1/2	7/8	3/8-24
G2SC-325-B				3 1/4	4 1/2	7/8	3/8-24
G2SC-337-B				3 3/8	4 3/4	7/8	3/8-24
G2SC-343-B	G2SC-343-SS			3 7/16	4 3/4	7/8	3/8-24
G2SC-350-B	G2SC-350-SS			3 1/2	4 3/4	7/8	3/8-24
G2SC-393-B				3 15/16	5 1/4	7/8	3/8-24
G2SC-400-B	G2SC-400-SS			4	5 1/4	7/8	3/8-24
G2SC-425-B				4 1/4	5 1/2	7/8	3/8-24
G2SC-443-B				4 7/16	5 3/4	7/8	3/8-24
G2SC-450-B	G2SC-450-SS			4 1/2	5 3/4	7/8	3/8-24
G2SC-493-B				4 15/16	6 1/4	7/8	3/8-24
G2SC-500-B				5	6 1/4	7/8	3/8-24
G2SC-550-B				5 1/2	6 3/4	7/8	3/8-24
G2SC-593-B				5 15/16	7 1/4	7/8	3/8-24
G2SC-600-B				6	7 1/4	7/8	3/8-24



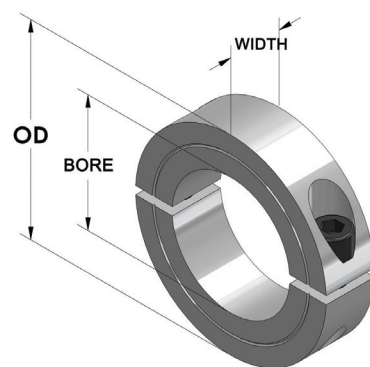
## G2SC-SERIES

Clamping design fully engages the shaft without marring or other shaft damage

Effective on hard and soft shafts

Two-piece collars may be easily installed without major disassembly

Other sizes and materials available



# TWO-PIECE SAFETY CLAMPING COLLARS

PART NUMBER		PRODUCT SPECIFICATIONS			
BLACK OXIDE STEEL	STAINLESS STEEL	BORE SIZE	OD	WIDTH	CLAMP SCREW
GH2C-012-B	GH2C-012-SS	1/8	13/16	1/4	4-40
GH2C-018-B	GH2C-018-SS	3/16	13/16	1/4	4-40
GH2C-025-B	GH2C-025-SS	1/4	13/16	1/4	4-40
GH2C-031-B	GH2C-031-SS	5/16	13/16	1/4	4-40
GH2C-037-B	GH2C-037-SS	3/8	1 1/16	5/16	6-32
GH2C-043-B	GH2C-043-SS	7/16	1 1/16	5/16	6-32
GH2C-050-B	GH2C-050-SS	1/2	1 1/4	3/8	8-32
GH2C-056-B	GH2C-056-SS	9/16	1 1/4	3/8	8-32
GH2C-062-B	GH2C-062-SS	5/8	1 1/2	13/32	10-32
GH2C-068-B	GH2C-068-SS	11/16	1 1/2	13/32	10-32
GH2C-075-B	GH2C-075-SS	3/4	1 3/4	1/2	1/4-28
GH2C-081-B	GH2C-081-SS	13/16	1 3/4	1/2	1/4-28
GH2C-087-B	GH2C-087-SS	7/8	1 7/8	1/2	1/4-28
GH2C-093-B	GH2C-093-SS	15/16	1 7/8	1/2	1/4-28
GH2C-100-B	GH2C-100-SS	1	2	1/2	1/4-28
GH2C-106-B	GH2C-106-SS	1 1/16	2	1/2	1/4-28
GH2C-112-B	GH2C-112-SS	1 1/8	2 1/8	1/2	1/4-28
GH2C-118-B	GH2C-118-SS	1 3/16	2 1/8	1/2	1/4-28
GH2C-125-B	GH2C-125-SS	1 1/4	2 1/4	1/2	1/4-28
GH2C-131-B	GH2C-131-SS	1 5/16	2 1/4	1/2	1/4-28
GH2C-137-B	GH2C-137-SS	1 3/8	2 3/8	1/2	1/4-28
GH2C-143-B	GH2C-143-SS	1 7/16	2 3/8	1/2	1/4-28
GH2C-150-B	GH2C-150-SS	1 1/2	2 1/2	1/2	1/4-28
GH2C-156-B	GH2C-156-SS	1 9/16	2 1/2	1/2	1/4-28
GH2C-162-B	GH2C-162-SS	1 5/8	3	5/8	5/16-24
GH2C-168-B	GH2C-168-SS	1 11/16	3	5/8	5/16-24
GH2C-175-B	GH2C-175-SS	1 3/4	3	5/8	5/16-24
GH2C-187-B	GH2C-187-SS	1 7/8	3 1/4	5/8	5/16-24
GH2C-193-B	GH2C-193-SS	1 15/16	3 1/4	5/8	5/16-24
GH2C-200-B	GH2C-200-SS	2	3 1/4	5/8	5/16-24
GH2C-212-B	GH2C-212-SS	2 1/8	3 1/2	5/8	5/16-24
GH2C-218-B	GH2C-218-SS	2 3/16	3 1/2	5/8	5/16-24
GH2C-225-B	GH2C-225-SS	2 1/4	3 1/2	5/8	5/16-24
GH2C-237-B	GH2C-237-SS	2 3/8	3 1/2	5/8	5/16-24
GH2C-243-B	GH2C-243-SS	2 7/16	4	3/4	3/8-24
GH2C-250-B	GH2C-250-SS	2 1/2	4	3/4	3/8-24
GH2C-262-B	GH2C-262-SS	2 5/8	4 1/4	3/4	3/8-24
GH2C-268-B	GH2C-268-SS	2 11/16	4 1/4	3/4	3/8-24
GH2C-275-B	GH2C-275-SS	2 3/4	4 1/4	3/4	3/8-24
GH2C-287-B	GH2C-287-SS	2 7/8	4 1/2	3/4	3/8-24
GH2C-293-B	GH2C-293-SS	2 15/16	4 1/2	3/4	3/8-24
GH2C-300-B	GH2C-300-SS	3	4 1/2	3/4	3/8-24



## GH2C-SERIES

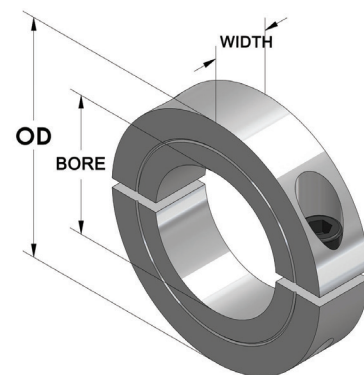
Clamping design fully engages the shaft without marring or other shaft damage

Effective on hard and soft shafts

Recessed screw head provides an outside surface free of major projections

Two-piece collars may be easily installed where major disassembly would otherwise be required

Other sizes and materials available



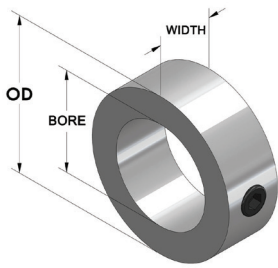
# METRIC SET SCREW COLLARS



## GMC-SERIES

Traditional cost effective collar design

Other sizes and materials available



PART NUMBER		PRODUCT SPECIFICATIONS			
BLACK OXIDE STEEL	STAINLESS STEEL	BORE SIZE	OD	WIDTH	SET SCREW
GMC-03-B	GMC-03-SS	3	7	5	M2
GMC-04-B	GMC-04-SS	4	8	5	M2
GMC-05-B	GMC-05-SS	5	10	6	M3
GMC-06-B	GMC-06-SS	6	12	8	M4
GMC-08-B	GMC-08-SS	8	16	8	M4
GMC-09-B	GMC-09-SS	9	20	10	M5
GMC-10-B	GMC-10-SS	10	20	10	M5
GMC-12-B	GMC-12-SS	12	22	12	M6
GMC-13-B	GMC-13-SS	13	22	13	M6
GMC-14-B	GMC-14-SS	14	25	12	M6
GMC-15-B	GMC-15-SS	15	25	12	M6
GMC-16-B	GMC-16-SS	16	28	12	M6
GMC-18-B	GMC-18-SS	18	32	14	M6
GMC-20-B	GMC-20-SS	20	32	14	M6
GMC-22-B	GMC-22-SS	22	36	14	M6
GMC-24-B	GMC-24-SS	24	40	14	M8
GMC-25-B	GMC-25-SS	25	40	16	M8
GMC-28-B	GMC-28-SS	28	45	16	M8
GMC-30-B	GMC-30-SS	30	45	16	M8
GMC-32-B	GMC-32-SS	32	50	16	M8
GMC-34-B	GMC-34-SS	34	50	16	M8
GMC-35-B	GMC-35-SS	35	56	16	M8
GMC-36-B	GMC-36-SS	36	56	16	M8
GMC-38-B	GMC-38-SS	38	56	16	M8
GMC-40-B	GMC-40-SS	40	63	18	M10
GMC-45-B	GMC-45-SS	45	70	18	M10
GMC-50-B	GMC-50-SS	50	80	18	M10

# METRIC CLAMPING COLLARS



## GM1C & GM2C-SERIES

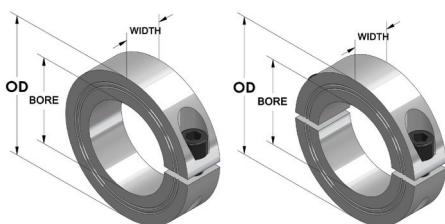
Clamping design fully engages the shaft without marring or other shaft damage

Effective on hard and soft shafts

Other sizes and materials available

1-PIECE

2-PIECE



PART NUMBER				PRODUCT SPECIFICATIONS			
BLACK OXIDE STEEL (1-PIECE)	BLACK OXIDE STEEL (2-PIECE)	STAINLESS STEEL (1-PIECE)	STAINLESS STEEL (2-PIECE)	BORE SIZE	OD	WIDTH	CLAMP SCREW
GM1C-03-B	GM2C-03-B	GM1C-03-SS	GM2C-03-SS	3	16	9	M3
GM1C-04-B	GM2C-04-B	GM1C-04-SS	GM2C-04-SS	4	16	9	M3
GM1C-05-B	GM2C-05-B	GM1C-05-SS	GM2C-05-SS	5	16	9	M3
GM1C-06-B	GM2C-06-B	GM1C-06-SS	GM2C-06-SS	6	16	9	M3
GM1C-08-B	GM2C-08-B	GM1C-08-SS	GM2C-08-SS	8	18	9	M3
GM1C-09-B	GM2C-09-B	GM1C-09-SS	GM2C-09-SS	9	24	9	M3
GM1C-10-B	GM2C-10-B	GM1C-10-SS	GM2C-10-SS	10	24	9	M3
GM1C-12-B	GM2C-12-B	GM1C-12-SS	GM2C-12-SS	12	28	11	M4
GM1C-13-B	GM2C-13-B	GM1C-13-SS	GM2C-13-SS	13	30	11	M4
GM1C-14-B	GM2C-14-B	GM1C-14-SS	GM2C-14-SS	14	30	11	M4
GM1C-15-B	GM2C-15-B	GM1C-15-SS	GM2C-15-SS	15	34	13	M5
GM1C-16-B	GM2C-16-B	GM1C-16-SS	GM2C-16-SS	16	34	13	M5
GM1C-17-B	GM2C-17-B	GM1C-17-SS	GM2C-17-SS	17	36	13	M5
GM1C-18-B	GM2C-18-B	GM1C-18-SS	GM2C-18-SS	18	36	13	M5
GM1C-20-B	GM2C-20-B	GM1C-20-SS	GM2C-20-SS	20	40	15	M6
GM1C-25-B	GM2C-25-B	GM1C-25-SS	GM2C-25-SS	25	45	15	M6
GM1C-30-B	GM2C-30-B	GM1C-30-SS	GM2C-30-SS	30	54	15	M6
GM1C-35-B	GM2C-35-B	GM1C-35-SS	GM2C-35-SS	35	57	15	M6
GM1C-40-B	GM2C-40-B	GM1C-40-SS	GM2C-40-SS	40	60	15	M6
GM1C-45-B	GM2C-45-B	GM1C-45-SS	GM2C-45-SS	45	73	19	M8
GM1C-50-B	GM2C-50-B	GM1C-50-SS	GM2C-50-SS	50	78	19	M8
GM1C-55-B	GM2C-55-B	GM1C-55-SS	GM2C-55-SS	55	82	19	M8
GM1C-60-B	GM2C-60-B	GM1C-60-SS	GM2C-60-SS	60	88	19	M8
GM1C-65-B	GM2C-65-B	GM1C-65-SS	GM2C-65-SS	65	93	19	M8
GM1C-70-B	GM2C-70-B	GM1C-70-SS	GM2C-70-SS	70	98	19	M8
GM1C-75-B	GM2C-75-B	GM1C-75-SS	GM2C-75-SS	75	103	19	M8
GM1C-80-B	GM2C-80-B	GM1C-80-SS	GM2C-80-SS	80	108	19	M8