

PART NUMBER	PRODUCT SPECIFICATIONS				
BLACK OXIDE STEEL	BORE SIZE	2ND BORE SIZE	OD	LENGTH	SET SCREW
GRC-025	1/4	1/4	1/2	3/4	10-32
GRC-031	5/16	5/16	5/8	1	10-32
GRC-037	3/8	3/8	3/4	1	1/4-28
GRC-050	1/2	1/2	1	1 1/2	1/4-28
GRC-062	5/8	5/8	1 1/4	2	5/16-18
GRC-075	3/4	3/4	1 1/2	2	5/16-18
GRC-087	7/8	7/8	1 3/4	2	5/16-18
GRC-100	1	1	2	3	3/8-16
GRC-112	1 1/8	1 1/8	2 1/8	3	3/8-16
GRC-125	1 1/4	1 1/4	2 1/4	4	3/8-16
GRC-137	1 3/8	1 3/8	2 3/8	4 1/2	3/8-16
GRC-150	1 1/2	1 1/2	2 1/2	4 1/2	3/8-16

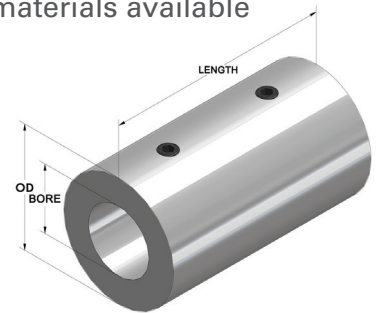


GRC-SERIES

Traditional cost effective rigid coupling design

Provides torque transmission and alignment

Other sizes and materials available



PART NUMBER	PRODUCT SPECIFICATIONS						
BLACK OXIDE STEEL	BORE SIZE	2ND BORE SIZE	OD	LENGTH	SET SCREW	KEYWAY SIZE	2ND KEYWAY SIZE
GRC-050-KW	1/2	1/2	1	1 1/2	1/4-28	1/8	1/8
GRC-062-KW	5/8	5/8	1 1/4	2	5/16-18	3/16	3/16
GRC-075-KW	3/4	3/4	1 1/2	2	5/16-18	3/16	3/16
GRC-087-KW	7/8	7/8	1 3/4	2	5/16-18	3/16	3/16
GRC-100-KW	1	1	2	3	3/8-16	1/4	1/4
GRC-112-KW	1 1/8	1 1/8	2 1/8	3	3/8-16	1/4	1/4
GRC-125-KW	1 1/4	1 1/4	2 1/4	4	3/8-16	1/4	1/4
GRC-137-KW	1 3/8	1 3/8	2 3/8	4 1/2	3/8-16	5/16	5/16
GRC-150-KW	1 1/2	1 1/2	2 1/2	4 1/2	3/8-16	3/8	3/8

GRC-KW-SERIES

Traditional cost effective rigid coupling design

Provides torque transmission and alignment

Other sizes and materials available

