

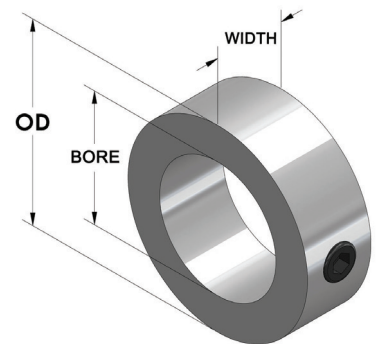
PART NUMBER				PRODUCT SPECIFICATIONS			
ZINC PLATED STEEL	UNPLATED STEEL	BLACK OXIDE STEEL	STAINLESS STEEL	BORE SIZE	OD	WIDTH	SET SCREW
GSC-012-Z	GSC-012-DT	GSC-012-B	GSC-012-SS	1/8	3/8	1/4	6-32
GSC-018-Z	GSC-018-DT	GSC-018-B	GSC-018-SS	3/16	7/16	1/4	8-32
GSC-025-Z	GSC-025-DT	GSC-025-B	GSC-025-SS	1/4	1/2	9/32	10-32
GSC-031-Z	GSC-031-DT	GSC-031-B	GSC-031-SS	5/16	5/8	5/16	10-32
GSC-037-Z	GSC-037-DT	GSC-037-B	GSC-037-SS	3/8	3/4	3/8	1/4-20
GSC-043-Z	GSC-043-DT	GSC-043-B	GSC-043-SS	7/16	7/8	7/16	1/4-20
GSC-050-Z	GSC-050-DT	GSC-050-B	GSC-050-SS	1/2	1	7/16	1/4-20
GSC-056-Z	GSC-056-DT	GSC-056-B	GSC-056-SS	9/16	1	7/16	1/4-20
GSC-062-Z	GSC-062-DT	GSC-062-B	GSC-062-SS	5/8	1 1/8	1/2	5/16-18
GSC-068-Z	GSC-068-DT	GSC-068-B	GSC-068-SS	11/16	1 1/4	9/16	5/16-18
GSC-075-Z	GSC-075-DT	GSC-075-B	GSC-075-SS	3/4	1 1/4	9/16	5/16-18
GSC-081-Z	GSC-081-DT	GSC-081-B	GSC-081-SS	13/16	1 1/2	9/16	5/16-18
GSC-087-Z	GSC-087-DT	GSC-087-B	GSC-087-SS	7/8	1 1/2	9/16	5/16-18
GSC-093-Z	GSC-093-DT	GSC-093-B	GSC-093-SS	15/16	1 5/8	9/16	5/16-18
GSC-100-Z	GSC-100-DT	GSC-100-B	GSC-100-SS	1	1 5/8	5/8	5/16-18
GSC-106-Z	GSC-106-DT	GSC-106-B	GSC-106-SS	1 1/16	1 3/4	5/8	5/16-18
GSC-112-Z	GSC-112-DT	GSC-112-B	GSC-112-SS	1 1/8	1 3/4	5/8	5/16-18
GSC-118-Z	GSC-118-DT	GSC-118-B	GSC-118-SS	1 3/16	2	11/16	3/8-16
GSC-125-Z	GSC-125-DT	GSC-125-B	GSC-125-SS	1 1/4	2	11/16	3/8-16
GSC-131-Z	GSC-131-DT	GSC-131-B	GSC-131-SS	1 5/16	2 1/8	11/16	3/8-16
GSC-137-Z	GSC-137-DT	GSC-137-B	GSC-137-SS	1 3/8	2 1/8	3/4	3/8-16
GSC-143-Z	GSC-143-DT	GSC-143-B	GSC-143-SS	1 7/16	2 1/4	3/4	3/8-16
GSC-150-Z	GSC-150-DT	GSC-150-B	GSC-150-SS	1 1/2	2 1/4	3/4	3/8-16
GSC-156-Z	GSC-156-DT	GSC-156-B	GSC-156-SS	1 9/16	2 1/2	13/16	3/8-16
GSC-162-Z	GSC-162-DT	GSC-162-B	GSC-162-SS	1 5/8	2 1/2	13/16	3/8-16
GSC-168-Z	GSC-168-DT	GSC-168-B	GSC-168-SS	1 11/16	2 1/2	13/16	3/8-16
GSC-175-Z	GSC-175-DT	GSC-175-B	GSC-175-SS	1 3/4	2 3/4	7/8	1/2-13
GSC-181-Z	GSC-181-DT	GSC-181-B	GSC-181-SS	1 13/16	2 3/4	7/8	1/2-13
GSC-187-Z	GSC-187-DT	GSC-187-B	GSC-187-SS	1 7/8	2 3/4	7/8	1/2-13
GSC-193-Z	GSC-193-DT	GSC-193-B	GSC-193-SS	1 15/16	3	7/8	1/2-13
GSC-200-Z	GSC-200-DT	GSC-200-B	GSC-200-SS	2	3	7/8	1/2-13
GSC-206-Z	GSC-206-DT	GSC-206-B	GSC-206-SS	2 1/16	3	7/8	1/2-13
GSC-212-Z	GSC-212-DT	GSC-212-B	GSC-212-SS	2 1/8	3	7/8	1/2-13
GSC-218-Z	GSC-218-DT	GSC-218-B	GSC-218-SS	2 3/16	3 1/4	15/16	1/2-13
GSC-225-Z	GSC-225-DT	GSC-225-B	GSC-225-SS	2 1/4	3 1/4	15/16	1/2-13
GSC-231-Z	GSC-231-DT	GSC-231-B	GSC-231-SS	2 5/16	3 1/4	15/16	1/2-13
GSC-237-Z	GSC-237-DT	GSC-237-B	GSC-237-SS	2 3/8	3 1/4	15/16	1/2-13
GSC-243-Z	GSC-243-DT	GSC-243-B	GSC-243-SS	2 7/16	3 1/2	1	1/2-13
GSC-250-Z	GSC-250-DT	GSC-250-B	GSC-250-SS	2 1/2	3 1/2	1	1/2-13
GSC-256-Z	GSC-256-DT	GSC-256-B	GSC-256-SS	2 9/16	3 3/4	1	1/2-13
GSC-262-Z	GSC-262-DT	GSC-262-B	GSC-262-SS	2 5/8	3 3/4	1 1/8	1/2-13
GSC-268-Z	GSC-268-DT	GSC-268-B	GSC-268-SS	2 11/16	4	1 1/8	1/2-13
GSC-275-Z	GSC-275-DT	GSC-275-B	GSC-275-SS	2 3/4	4	1 1/8	1/2-13
GSC-281-Z	GSC-281-DT	GSC-281-B	GSC-281-SS	2 11/16	4	1 1/8	1/2-13
GSC-287-Z	GSC-287-DT	GSC-287-B	GSC-287-SS	2 7/8	4 1/4	1 1/8	1/2-13
GSC-293-Z	GSC-293-DT	GSC-293-B	GSC-293-SS	2 15/16	4 1/4	1 1/8	1/2-13
GSC-300-Z	GSC-300-DT	GSC-300-B	GSC-300-SS	3	4 1/4	1 1/8	1/2-13
GSC-318-Z				3 3/16	4 1/4	1 1/8	1/2-13
GSC-325-Z				3 1/4	4 1/4	1 1/8	1/2-13
GSC-343-Z	GSC-343-DT	GSC-343-B		3 7/16	4 1/2	1 1/8	1/2-13
GSC-350-Z				3 1/2	4 3/4	1 1/8	1/2-13
GSC-393-Z	GSC-393-DT	GSC-393-B		3 15/16	5	1 1/8	1/2-13
GSC-400-Z				4	5	1 1/8	1/2-13
GSC-425-Z				4 1/4	5 1/2	1 1/8	1/2-13
GSC-443-Z				4 7/16	5 1/2	1 1/8	1/2-13
GSC-450-Z				4 1/2	5 1/2	1 1/4	1/2-13
GSC-493-Z				4 15/16	6	1 1/4	1/2-13
GSC-500-Z				5	6	1 1/4	1/2-13
GSC-543-Z				5 7/16	6 1/2	1 1/4	1/2-13
GSC-593-Z				5 15/16	7	1 1/4	1/2-13



## GSC-SERIES

Traditional cost effective collar design

Other sizes and materials available



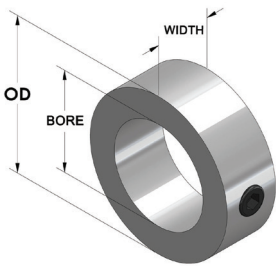
# METRIC SET SCREW COLLARS



## GMC-SERIES

Traditional cost effective collar design

Other sizes and materials available



PART NUMBER		PRODUCT SPECIFICATIONS			
BLACK OXIDE STEEL	STAINLESS STEEL	BORE SIZE	OD	WIDTH	SET SCREW
GMC-03-B	GMC-03-SS	3	7	5	M2
GMC-04-B	GMC-04-SS	4	8	5	M2
GMC-05-B	GMC-05-SS	5	10	6	M3
GMC-06-B	GMC-06-SS	6	12	8	M4
GMC-08-B	GMC-08-SS	8	16	8	M4
GMC-09-B	GMC-09-SS	9	20	10	M5
GMC-10-B	GMC-10-SS	10	20	10	M5
GMC-12-B	GMC-12-SS	12	22	12	M6
GMC-13-B	GMC-13-SS	13	22	13	M6
GMC-14-B	GMC-14-SS	14	25	12	M6
GMC-15-B	GMC-15-SS	15	25	12	M6
GMC-16-B	GMC-16-SS	16	28	12	M6
GMC-18-B	GMC-18-SS	18	32	14	M6
GMC-20-B	GMC-20-SS	20	32	14	M6
GMC-22-B	GMC-22-SS	22	36	14	M6
GMC-24-B	GMC-24-SS	24	40	14	M8
GMC-25-B	GMC-25-SS	25	40	16	M8
GMC-28-B	GMC-28-SS	28	45	16	M8
GMC-30-B	GMC-30-SS	30	45	16	M8
GMC-32-B	GMC-32-SS	32	50	16	M8
GMC-34-B	GMC-34-SS	34	50	16	M8
GMC-35-B	GMC-35-SS	35	56	16	M8
GMC-36-B	GMC-36-SS	36	56	16	M8
GMC-38-B	GMC-38-SS	38	56	16	M8
GMC-40-B	GMC-40-SS	40	63	18	M10
GMC-45-B	GMC-45-SS	45	70	18	M10
GMC-50-B	GMC-50-SS	50	80	18	M10

# METRIC CLAMPING COLLARS



## GM1C & GM2C-SERIES

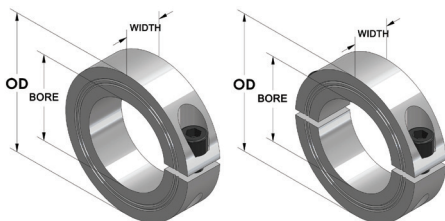
Clamping design fully engages the shaft without marring or other shaft damage

Effective on hard and soft shafts

Other sizes and materials available

1-PIECE

2-PIECE



PART NUMBER				PRODUCT SPECIFICATIONS			
BLACK OXIDE STEEL (1-PIECE)	BLACK OXIDE STEEL (2-PIECE)	STAINLESS STEEL (1-PIECE)	STAINLESS STEEL (2-PIECE)	BORE SIZE	OD	WIDTH	CLAMP SCREW
GM1C-03-B	GM2C-03-B	GM1C-03-SS	GM2C-03-SS	3	16	9	M3
GM1C-04-B	GM2C-04-B	GM1C-04-SS	GM2C-04-SS	4	16	9	M3
GM1C-05-B	GM2C-05-B	GM1C-05-SS	GM2C-05-SS	5	16	9	M3
GM1C-06-B	GM2C-06-B	GM1C-06-SS	GM2C-06-SS	6	16	9	M3
GM1C-08-B	GM2C-08-B	GM1C-08-SS	GM2C-08-SS	8	18	9	M3
GM1C-09-B	GM2C-09-B	GM1C-09-SS	GM2C-09-SS	9	24	9	M3
GM1C-10-B	GM2C-10-B	GM1C-10-SS	GM2C-10-SS	10	24	9	M3
GM1C-12-B	GM2C-12-B	GM1C-12-SS	GM2C-12-SS	12	28	11	M4
GM1C-13-B	GM2C-13-B	GM1C-13-SS	GM2C-13-SS	13	30	11	M4
GM1C-14-B	GM2C-14-B	GM1C-14-SS	GM2C-14-SS	14	30	11	M4
GM1C-15-B	GM2C-15-B	GM1C-15-SS	GM2C-15-SS	15	34	13	M5
GM1C-16-B	GM2C-16-B	GM1C-16-SS	GM2C-16-SS	16	34	13	M5
GM1C-17-B	GM2C-17-B	GM1C-17-SS	GM2C-17-SS	17	36	13	M5
GM1C-18-B	GM2C-18-B	GM1C-18-SS	GM2C-18-SS	18	36	13	M5
GM1C-20-B	GM2C-20-B	GM1C-20-SS	GM2C-20-SS	20	40	15	M6
GM1C-25-B	GM2C-25-B	GM1C-25-SS	GM2C-25-SS	25	45	15	M6
GM1C-30-B	GM2C-30-B	GM1C-30-SS	GM2C-30-SS	30	54	15	M6
GM1C-35-B	GM2C-35-B	GM1C-35-SS	GM2C-35-SS	35	57	15	M6
GM1C-40-B	GM2C-40-B	GM1C-40-SS	GM2C-40-SS	40	60	15	M6
GM1C-45-B	GM2C-45-B	GM1C-45-SS	GM2C-45-SS	45	73	19	M8
GM1C-50-B	GM2C-50-B	GM1C-50-SS	GM2C-50-SS	50	78	19	M8
GM1C-55-B	GM2C-55-B	GM1C-55-SS	GM2C-55-SS	55	82	19	M8
GM1C-60-B	GM2C-60-B	GM1C-60-SS	GM2C-60-SS	60	88	19	M8
GM1C-65-B	GM2C-65-B	GM1C-65-SS	GM2C-65-SS	65	93	19	M8
GM1C-70-B	GM2C-70-B	GM1C-70-SS	GM2C-70-SS	70	98	19	M8
GM1C-75-B	GM2C-75-B	GM1C-75-SS	GM2C-75-SS	75	103	19	M8
GM1C-80-B	GM2C-80-B	GM1C-80-SS	GM2C-80-SS	80	108	19	M8