

CLAMPING COUPLINGS



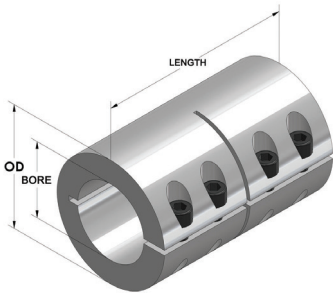
GSCC-SERIES

ONE-PIECE

High axial load and torque capacity

Does not mar the shaft

Other sizes and materials available



PART NUMBER		PRODUCT SPECIFICATIONS				
BLACK OXIDE STEEL	STAINLESS STEEL	BORE SIZE	2ND BORE SIZE	OD	LENGTH	CLAMP SCREW
GSCC-025-025	GSCC-025-025-S	1/4	1/4	11/16	1	4-40
GSCC-037-025	GSCC-037-025-S	3/8	1/4	7/8	1 3/8	6-32
GSCC-037-037	GSCC-037-037-S	3/8	3/8	7/8	1 3/8	6-32
GSCC-050-037	GSCC-050-037-S	1/2	3/8	1 1/8	1 3/4	8-32
GSCC-050-050	GSCC-050-050-S	1/2	1/2	1 1/8	1 3/4	8-32
GSCC-062-050	GSCC-062-050-S	5/8	1/2	1 5/16	2	10-32
GSCC-062-062	GSCC-062-062-S	5/8	5/8	1 5/16	2	10-32
GSCC-075-050	GSCC-075-050-S	3/4	1/2	1 1/2	2 1/4	1/4-28
GSCC-075-062	GSCC-075-062-S	3/4	5/8	1 1/2	2 1/4	1/4-28
GSCC-075-075	GSCC-075-075-S	3/4	3/4	1 1/2	2 1/4	1/4-28
GSCC-087-062	GSCC-087-062-S	7/8	5/8	1 5/8	2 1/2	1/4-28
GSCC-087-087	GSCC-087-087-S	7/8	7/8	1 5/8	2 1/2	1/4-28
GSCC-100-050	GSCC-100-050-S	1	1/2	1 3/4	3	1/4-28
GSCC-100-075	GSCC-100-075-S	1	3/4	1 3/4	3	1/4-28
GSCC-100-100	GSCC-100-100-S	1	1	1 3/4	3	1/4-28
GSCC-112-100	GSCC-112-100-S	1 1/8	1	1 7/8	3 1/8	1/4-28
GSCC-112-112	GSCC-112-112-S	1 1/8	1 1/8	1 7/8	3 1/8	1/4-28
GSCC-125-100	GSCC-125-100-S	1 1/4	1	2 1/8	3 1/4	1/4-28
GSCC-125-125	GSCC-125-125-S	1 1/4	1 1/4	2 1/16	3 1/4	1/4-28
GSCC-137-100	GSCC-137-100-S	1 3/8	1	2 1/2	3 5/8	1/4-28
GSCC-137-137	GSCC-137-137-S	1 3/8	1 3/8	2 1/2	3 5/8	1/4-28
GSCC-150-100	GSCC-150-100-S	1 1/2	1	2 5/8	3 7/8	5/16-24
GSCC-150-150	GSCC-150-150-S	1 1/2	1 1/2	2 5/8	3 7/8	5/16-24
GSCC-175-175		1 3/4	1 3/4	3 1/8	4 1/2	5/16-24
GSCC-200-200	GSCC-200-200-S	2	2	3 3/8	4 7/8	3/8-24

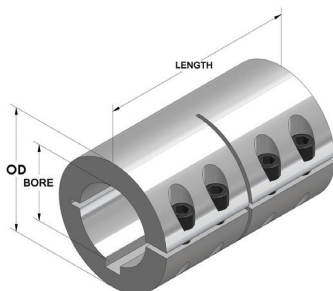
GSCC-KW-SERIES

ONE-PIECE WITH KEYWAY

High axial load and torque capacity

Does not mar the shaft

Other sizes and materials available



PART NUMBER		PRODUCT SPECIFICATIONS						
BLACK OXIDE STEEL	STAINLESS STEEL	BORE SIZE	2ND BORE SIZE	OD	LENGTH	CLAMP SCREW	KEYWAY SIZE	2ND KEYWAY SIZE
GSCC-037-037-KW	GSCC-037-037SKW	3/8	3/8	7/8	1 3/8	6-32	3/32	3/32
GSCC-050-050-KW	GSCC-050-050SKW	1/2	1/2	1 1/8	1 3/4	8-32	1/8	1/8
GSCC-062-062-KW	GSCC-062-062SKW	5/8	5/8	1 5/16	2	10-32	3/16	3/16
GSCC-075-075-KW	GSCC-075-075SKW	3/4	3/4	1 1/2	2 1/4	1/4-28	3/16	3/16
GSCC-087-087-KW	GSCC-087-087SKW	7/8	7/8	1 5/8	2 1/2	1/4-28	3/16	3/16
GSCC-100-100-KW	GSCC-100-100SKW	1	1	1 3/4	3	1/4-28	1/4	1/4
GSCC-112-112-KW	GSCC-112-112SKW	1 1/8	1 1/8	1 7/8	3 1/8	1/4-28	1/4	1/4
GSCC-125-125-KW	GSCC-125-125SKW	1 1/4	1 1/4	2 1/16	3 1/4	1/4-28	1/4	1/4
GSCC-137-137-KW		1 3/8	1 3/8	2 1/2	3 5/8	1/4-28	5/16	5/16
GSCC-150-150-KW	GSCC-150-150SKW	1 1/2	1 1/2	2 5/8	3 7/8	1/4-28	3/8	3/8
GSCC-175-175-KW		1 3/4	1 3/4	3 1/8	4 1/2	3/8-24	3/8	3/8
GSCC-200-200-KW	GSCC-200-200SKW	2	2	3 3/8	4 7/8	3/8-24	1/2	1/2

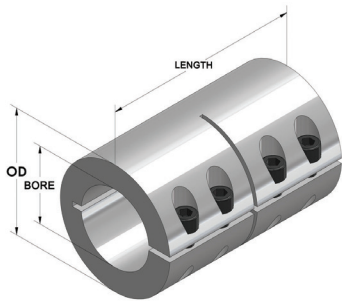
METRIC CLAMPING COUPLING



GMSCC-SERIES

METRIC ONE-PIECE

High axial load and torque capacity
Does not mar the shaft
Other sizes and materials available

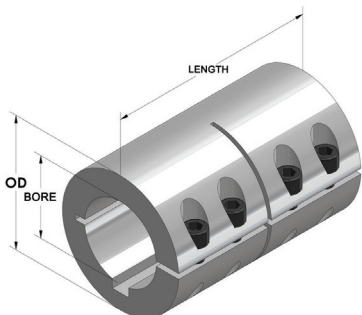


PART NUMBER		PRODUCT SPECIFICATIONS				
BLACK OXIDE STEEL	STAINLESS STEEL	BORE SIZE	2ND BORE SIZE	OD	LENGTH	CLAMP SCREW
GMSCC-06-06	GMSCC-06-06-S	6	6	18	30	M3
GMSCC-08-08	GMSCC-08-08-S	8	8	24	35	M3
GMSCC-09-09	GMSCC-09-09-S	9	9	29	45	M4
GMSCC-10-10	GMSCC-10-10-S	10	10	29	45	M4
GMSCC-12-12	GMSCC-12-12-S	12	12	29	45	M4
GMSCC-14-14	GMSCC-14-14-S	14	14	34	50	M5
GMSCC-15-15	GMSCC-15-15-S	15	15	34	50	M5
GMSCC-16-16	GMSCC-16-16-S	16	16	34	50	M5
GMSCC-20-20	GMSCC-20-20-S	20	20	42	65	M6
GMSCC-25-25	GMSCC-25-25-S	25	25	45	75	M6
GMSCC-30-30	GMSCC-30-30-S	30	30	53	83	M6
GMSCC-35-35	GMSCC-35-35-S	35	35	67	95	M8
GMSCC-40-40	GMSCC-40-40-S	40	40	77	108	M8
GMSCC-50-50		50	50	85	124	M10

GMSCC-KW-SERIES

METRIC ONE-PIECE WITH KEYWAY

High axial load and torque capacity
Does not mar the shaft
Other sizes and materials available



PART NUMBER		PRODUCT SPECIFICATIONS						
BLACK OXIDE STEEL	STAINLESS STEEL	BORE SIZE	2ND BORE SIZE	OD	LENGTH	CLAMP SCREW	KEYWAY SIZE	2ND KEYWAY SIZE
GMSCC-12-12-KW	GMSCC-12-12-SKW	12	12	29	45	M4	4	4
GMSCC-14-14-KW	GMSCC-14-14-SKW	14	14	34	50	M5	5	5
GMSCC-15-15-KW	GMSCC-15-15-SKW	15	15	34	50	M5	5	5
GMSCC-16-16-KW	GMSCC-16-16-SKW	16	16	34	50	M5	5	5
GMSCC-20-20-KW	GMSCC-20-20-SKW	20	20	42	65	M6	6	6
GMSCC-25-25-KW	GMSCC-25-25-SKW	25	25	45	75	M6	8	8
GMSCC-30-30-KW	GMSCC-30-30-SKW	30	30	53	83	M6	8	8
GMSCC-35-35-KW	GMSCC-35-35-SKW	35	35	67	95	M8	10	10
GMSCC-40-40-KW	GMSCC-40-40-SKW	40	40	77	108	M8	12	12
GMSCC-50-50-KW		50	50	85	124	M10	14	14