

# ONE-PIECE CLAMPING COLLARS

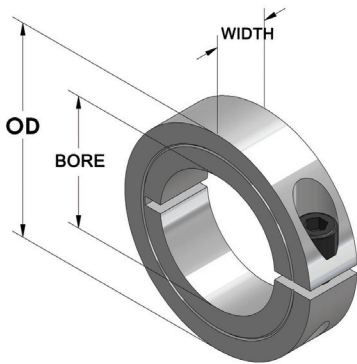


## G1SC-SERIES

Clamping design fully engages the shaft without marring or other shaft damage

Effective on hard and soft shafts

Other sizes and materials available



PART NUMBER			PRODUCT SPECIFICATIONS			
BLACK OXIDE STEEL	STAINLESS STEEL	ALUMINUM	BORE SIZE	OD	WIDTH	CLAMP SCREW
G1SC-012-B	G1SC-012-SS	G1SC-012-A	1/8	1/2	1/4	4-40
G1SC-018-B	G1SC-018-SS	G1SC-018-A	3/16	5/8	5/16	4-40
G1SC-025-B	G1SC-025-SS	G1SC-025-A	1/4	11/16	5/16	4-40
G1SC-031-B	G1SC-031-SS	G1SC-031-A	5/16	11/16	5/16	4-40
G1SC-037-B	G1SC-037-SS	G1SC-037-A	3/8	7/8	11/32	6-32
G1SC-043-B	G1SC-043-SS	G1SC-043-A	7/16	15/16	3/8	6-32
G1SC-050-B	G1SC-050-SS	G1SC-050-A	1/2	1 1/8	13/32	8-32
G1SC-056-B	G1SC-056-SS	G1SC-056-A	9/16	1 1/4	7/16	10-32
G1SC-062-B	G1SC-062-SS	G1SC-062-A	5/8	1 5/16	7/16	10-32
G1SC-068-B	G1SC-068-SS	G1SC-068-A	11/16	1 3/8	7/16	10-32
G1SC-075-B	G1SC-075-SS	G1SC-075-A	3/4	1 1/2	1/2	1/4-28
G1SC-081-B	G1SC-081-SS		13/16	1 5/8	1/2	1/4-28
G1SC-087-B	G1SC-087-SS	G1SC-087-A	7/8	1 5/8	1/2	1/4-28
G1SC-093-B	G1SC-093-SS		15/16	1 3/4	1/2	1/4-28
G1SC-100-B	G1SC-100-SS	G1SC-100-A	1	1 3/4	1/2	1/4-28
G1SC-106-B	G1SC-106-SS		1 1/16	1 7/8	1/2	1/4-28
G1SC-112-B	G1SC-112-SS	G1SC-112-A	1 1/8	1 7/8	1/2	1/4-28
G1SC-118-B	G1SC-118-SS		1 3/16	2 1/16	1/2	1/4-28
G1SC-125-B	G1SC-125-SS	G1SC-125-A	1 1/4	2 1/16	1/2	1/4-28
G1SC-131-B	G1SC-131-SS		1 5/16	2 1/8	9/16	1/4-28
G1SC-137-B	G1SC-137-SS		1 3/8	2 1/4	9/16	1/4-28
G1SC-143-B	G1SC-143-SS		1 7/16	2 1/4	9/16	1/4-28
G1SC-150-B	G1SC-150-SS	G1SC-150-A	1 1/2	2 3/8	9/16	1/4-28
G1SC-156-B	G1SC-156-SS		1 9/16	2 3/8	9/16	1/4-28
G1SC-162-B	G1SC-162-SS		1 5/8	2 5/8	11/16	5/16-24
G1SC-168-B	G1SC-168-SS		1 11/16	2 3/4	11/16	5/16-24
G1SC-175-B	G1SC-175-SS	G1SC-175-A	1 3/4	2 3/4	11/16	5/16-24
G1SC-181-B	G1SC-181-SS		1 13/16	2 7/8	11/16	5/16-24
G1SC-187-B	G1SC-187-SS	G1SC-187-A	1 7/8	2 7/8	11/16	5/16-24
G1SC-193-B	G1SC-193-SS	G1SC-193-A	1 15/16	3	11/16	5/16-24
G1SC-200-B	G1SC-200-SS	G1SC-200-A	2	3	11/16	5/16-24
G1SC-206-B			2 1/16	3 1/4	3/4	5/16-24
G1SC-212-B	G1SC-212-SS		2 1/8	3 1/4	3/4	5/16-24
G1SC-218-B	G1SC-218-SS		2 3/16	3 1/4	3/4	5/16-24
G1SC-225-B	G1SC-225-SS		2 1/4	3 1/4	3/4	5/16-24
G1SC-231-B			2 5/16	3 1/2	3/4	5/16-24
G1SC-237-B	G1SC-237-SS		2 3/8	3 1/2	3/4	5/16-24
G1SC-243-B	G1SC-243-SS		2 7/16	3 1/2	3/4	5/16-24
G1SC-250-B	G1SC-250-SS	G1SC-250-A	2 1/2	3 3/4	7/8	3/8-24
G1SC-256-B			2 9/16	3 7/8	7/8	3/8-24
G1SC-262-B	G1SC-262-SS		2 5/8	3 7/8	7/8	3/8-24
G1SC-268-B			2 11/16	4	7/8	3/8-24
G1SC-275-B	G1SC-275-SS		2 3/4	4	7/8	3/8-24
G1SC-281-B			2 13/16	4 1/4	7/8	3/8-24
G1SC-287-B	G1SC-287-SS		2 7/8	4 1/4	7/8	3/8-24
G1SC-293-B	G1SC-293-SS		2 15/16	4 1/4	7/8	3/8-24
G1SC-300-B	G1SC-300-SS		3	4 1/4	7/8	3/8-24
G1SC-318-B			3 3/16	4 1/2	7/8	3/8-24
G1SC-325-B			3 1/4	4 1/2	7/8	3/8-24
G1SC-343-B			3 7/16	4 3/4	7/8	3/8-24
G1SC-350-B			3 1/2	4 3/4	7/8	3/8-24
G1SC-393-B			3 15/16	5 1/4	7/8	3/8-24
G1SC-400-B			4	5 1/4	7/8	3/8-24