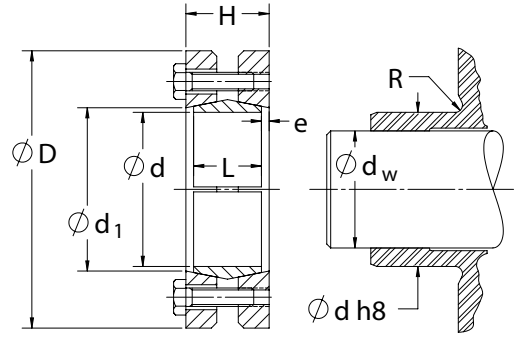




CLIMAX SHRINK DISCS

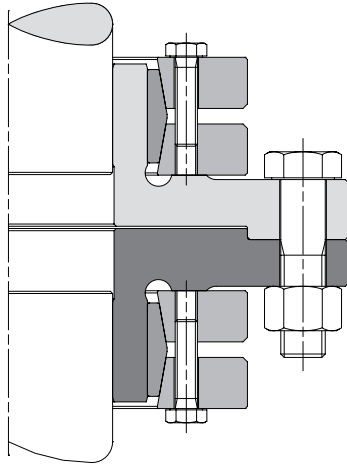
- External keyless locking device
- Standard and Heavy Duty designs
- Inherently balanced for high speed applications
- Preferred solution for coupling hubs and hollow shaft gearboxes



Series C733 - Standard Duty

CLIMAX Part No.	d	d _w -min	d _w -max	M _t (ft-lbs) for		Locking Screws DIN 931 Grade 10.9			D	L	H	e	d ₁	R
				d _w -min	d _w -max	Qty.	Size	M _a (ft-lbs)						
C733M-14	0.551	0.375	0.451	22	55	3	M5 x 12	3	1.50	0.394	0.59	0.098	0.591	1/32
C733M-16	0.630	0.438	0.516	21	58	3	M5 x 16	3	1.61	0.472	0.67	0.098	0.669	1/32
C733M-18	0.709	0.500	0.580	52	99	4	M5 x 16	3	1.73	0.472	0.67	0.098	0.748	1/32
C733M-20	0.787	0.500	0.645	55	148	5	M5 x 16	3	1.81	0.472	0.67	0.098	0.866	1/32
C733M-24	0.945	0.625	0.774	97	215	6	M5 x 16	3	1.97	0.551	0.71	0.079	1.024	1/16
C733M-30	1.181	0.750	0.967	122	316	7	M5 x 18	3	2.36	0.630	0.79	0.079	1.260	1/16
C733M-36	1.417	0.875	1.161	319	675	5	M6 x 20	9	2.83	0.709	0.87	0.079	1.496	1/16
C733M-44	1.732	1.125	1.419	694	1,215	7	M6 x 20	9	3.15	0.787	0.94	0.079	1.850	1/16
C733M-50	1.969	1.375	1.612	982	1,590	8	M6 x 22	9	3.54	0.866	1.06	0.098	2.087	1/16
C733M-55	2.165	1.500	1.773	1,032	1,734	8	M6 x 25	9	3.94	0.906	1.14	0.118	2.283	3/32
C733M-62	2.441	1.750	1.999	1,746	2,412	10	M6 x 25	9	4.33	0.906	1.14	0.118	2.598	3/32
C733M-68	2.677	1.875	2.193	1,790	2,646	10	M6 x 25	9	4.53	0.906	1.14	0.118	2.835	3/32
C733M-75	2.953	2.125	2.418	2,808	4,079	7	M8 x 25	22	5.43	0.984	1.22	0.118	3.110	1/8
C733M-80	3.150	2.375	2.580	3,435	4,351	7	M8 x 25	22	5.71	0.984	1.22	0.118	3.307	1/8
C733M-90	3.543	2.500	2.902	4,779	7,175	10	M8 x 30	22	6.10	1.181	1.50	0.157	3.701	1/8
C733M-100	3.937	2.875	3.224	7,098	9,638	12	M8 x 35	22	6.69	1.339	1.69	0.177	4.094	1/8
C733M-110	4.331	3.125	3.547	8,873	12,421	9	M10 x 40	44	7.28	1.535	1.93	0.197	4.488	1/8
C733M-125	4.921	3.500	4.031	13,504	19,262	12	M10 x 40	44	8.46	1.654	2.09	0.217	5.276	1/8
C733M-140	5.512	4.000	4.514	19,544	26,310	10	M12 x 45	74	9.06	1.811	2.28	0.236	5.709	3/16
C733M-155	6.102	4.500	4.998	27,370	33,868	12	M12 x 50	74	10.35	1.969	2.44	0.236	6.496	3/16
C733M-165	6.496	4.875	5.320	37,487	46,845	8	M16 x 55	184	11.42	2.205	2.68	0.236	6.890	3/16
C733M-175	6.890	5.250	5.643	41,348	49,685	8	M16 x 55	184	11.81	2.205	2.68	0.236	7.283	3/16
C733M-185	7.283	5.625	5.965	56,434	65,556	10	M16 x 65	184	12.99	2.795	3.35	0.276	7.677	3/16
C733M-195	7.677	5.875	6.288	71,451	84,390	12	M16 x 65	184	13.78	2.795	3.35	0.276	8.110	3/16
C733M-200	7.874	6.250	6.449	80,170	86,554	12	M16 x 65	184	13.78	2.795	3.35	0.276	8.110	3/16
C733M-220	8.661	6.375	7.094	91,633	115,673	15	M16 x 80	184	14.57	3.465	4.09	0.315	8.898	1/4
C733M-240	9.449	7.000	7.739	130,075	161,101	12	M20 x 80	361	15.94	3.622	4.25	0.315	9.764	1/4
C733M-260	10.236	7.625	8.383	161,469	204,411	14	M20 x 90	361	16.93	4.055	4.69	0.315	10.551	1/4
C733M-280	11.024	8.375	9.028	209,648	252,319	16	M20 x 100	361	18.11	4.488	5.20	0.354	11.339	5/16
C733M-300	11.811	9.000	9.673	256,147	305,461	18	M20 x 100	361	19.09	4.803	5.51	0.354	12.126	5/16
C733M-320	12.598	9.625	10.318	309,145	358,190	20	M20 x 100	361	20.47	4.803	5.51	0.354	12.913	5/16
C733M-340	13.386	10.250	10.963	389,660	459,821	24	M20 x 110	361	22.44	5.354	6.14	0.394	13.701	5/16
C733M-350	13.780	10.875	11.285	430,793	472,106	24	M20 x 110	361	22.83	5.512	6.30	0.394	14.488	5/16
C733M-360	14.173	11.250	11.608	449,436	485,595	24	M20 x 110	361	23.23	5.512	6.30	0.394	14.488	5/16
C733M-380	14.961	11.500	12.253	534,665	622,638	20	M24 x 120	620	25.39	5.669	6.46	0.394	15.276	5/16

All dimensions are shown in inches unless stated otherwise. All dimensions and capacities are subject to change without notice.



CLIMAX SHRINK DISCS

CLIMAX Series C733 Standard Duty Shrink Discs connect flanged coupling halves. CLIMAX can also supply both complete couplings and single mating flanges.



Series C732 - Heavy Duty

CLIMAX Part No.	d	d _w -min	d _w -max	M _t (ft-lbs) for		Locking Screws DIN 931 Grade 10.9			D	L	H	e	d ₁	R
						Qty.	Size	M _a (ft-lbs)						
C732M-40	1.575	1.000	1.290	620	1,180	4	M8 x 25	22	3.15	0.984	1.26	0.138	1.732	1/16
C732M-44	1.732	1.125	1.419	935	1,649	5	M8 x 30	22	3.35	1.142	1.34	0.098	1.890	1/16
C732M-50	1.969	1.375	1.612	1,772	2,764	7	M8 x 35	22	3.74	1.181	1.54	0.177	2.126	1/16
C732M-55	2.165	1.500	1.773	1,903	3,040	7	M8 x 35	22	4.13	1.181	1.54	0.177	2.323	1/16
C732M-62	2.441	1.750	1.999	2,367	3,263	7	M8 x 35	22	4.53	1.181	1.54	0.177	2.598	1/16
C732M-68	2.677	1.875	2.193	2,877	4,193	8	M8 x 35	22	4.72	1.181	1.54	0.177	2.834	3/32
C732M-75	2.953	2.125	2.418	4,478	6,436	7	M10 x 40	44	5.71	1.417	1.81	0.197	3.307	3/32
C732M-80	3.150	2.375	2.580	5,454	8,865	7	M10 x 40	44	5.71	1.417	1.81	0.197	3.307	3/32
C732M-90	3.543	2.500	2.902	5,849	8,863	8	M10 x 40	44	6.30	1.575	1.97	0.197	3.701	1/8
C732M-100	3.937	2.875	3.224	9,225	12,523	10	M10 x 45	44	6.69	1.732	2.13	0.197	4.094	1/8
C732M-110	4.331	3.125	3.547	11,930	16,639	12	M10 x 45	44	7.28	1.969	2.36	0.197	4.488	1/8
C732M-125	4.921	3.500	4.031	19,984	28,242	12	M12 x 50	74	8.46	2.126	2.60	0.236	5.157	3/16
C732M-140	5.512	4.000	4.514	23,149	31,334	12	M12 x 60	74	9.06	2.362	2.91	0.276	5.748	3/16
C732M-155	6.102	4.500	4.998	33,973	42,047	15	M12 x 60	74	10.35	2.598	3.15	0.276	6.614	3/16
C732M-165	6.496	4.875	5.320	46,646	58,382	10	M16 x 70	184	11.42	2.835	3.46	0.315	6.890	3/16
C732M-175	6.890	5.250	5.643	51,464	61,920	10	M16 x 70	184	11.81	2.835	3.46	0.315	7.283	3/16
C732M-185	7.283	5.625	5.965	86,296	99,759	15	M16 x 80	184	12.99	3.622	4.41	0.394	7.677	3/16
C732M-195	7.677	5.875	6.288	88,918	105,151	15	M16 x 80	184	13.78	3.622	4.41	0.394	8.110	1/4
C732M-200	7.874	6.250	6.449	99,837	107,847	15	M16 x 80	184	13.78	3.622	4.41	0.394	8.110	1/4
C732M-220	8.661	6.375	7.094	122,664	154,750	20	M16 x 90	184	14.57	4.488	5.28	0.394	8.898	1/4
C732M-240	9.449	7.000	7.739	161,804	200,526	15	M20 x 100	361	15.94	4.724	5.67	0.472	9.685	1/4
C732M-260	10.236	7.625	8.383	206,795	262,157	18	M20 x 110	361	16.93	5.354	6.30	0.472	10.551	1/4
C732M-280	11.024	8.375	9.028	260,761	314,308	20	M20 x 120	361	18.11	5.827	6.77	0.472	11.339	5/16
C732M-300	11.811	9.000	9.673	280,470	335,909	20	M20 x 120	361	19.09	5.984	6.93	0.472	12.126	5/16
C732M-320	12.598	9.625	10.318	367,340	425,978	24	M20 x 120	361	20.47	6.299	7.24	0.472	12.913	5/16
C732M-340	13.386	10.250	10.963	462,664	547,471	20	M24 x 130	620	22.44	6.929	7.87	0.472	13.701	5/16
C732M-350	13.780	10.875	11.285	542,470	594,477	21	M24 x 130	620	22.83	6.929	7.87	0.472	14.094	5/16
C732M-360	14.173	11.250	11.608	534,699	578,401	20	M24 x 140	620	23.23	7.087	8.03	0.472	14.488	3/8

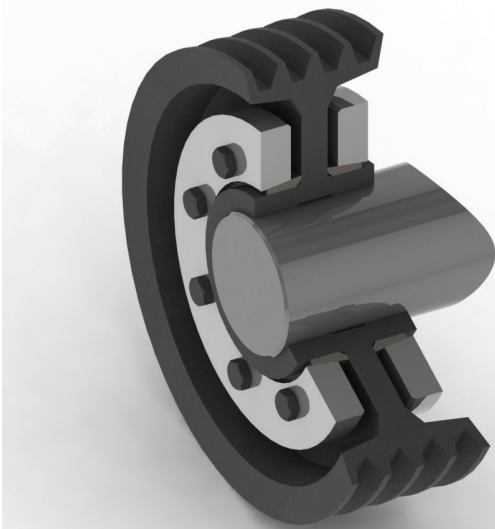
For C733 and C732 Series Shrink Discs

Shaft Diameter d _w (inches)		T _w = Max. Diametrical Clearance Between Shaft and Hub Bore
Over	To and Including	
	1 1/8	0.0010
1 1/8	1 15/16	0.0015
1 15/16	4 3/4	0.0020
4 3/4	7	0.0030
7	10	0.0040
10	14	0.0050
14		0.0060

All dimensions are shown in inches unless stated otherwise. All dimensions and capacities are subject to change without notice.

SPLIT & HALF SHRINK DISCS

Keyless Locking Devices



Climax KLD stocks full shrink discs and split/half inner rings for both standard duty (C733M) and heavy duty (C732M) series in diameters up to 300mm so that we can assemble and ship different configurations from stock, often same day. Larger diameter units as well as light duty (C731M) series will be available to be expedited from our factory in Italy. These split and half shrink discs have found their way into virtually thousands of mechanical stamping presses, steel mills and other large equipment spread out across the country.

Our KLD split and half shrink discs (-SR, -HT & -HC) will directly replace products from competitors such as Ringfeder, B-Loc, Stüwe, and TAS-Schaefer with added benefits:

- We supply only the highest quality European shrink discs manufactured of roll forged and heat treated alloy steel
- Parts are marked with tightening torque and serial numbers for full traceability
- Our application engineering staff has unrivaled industry experience with these products
- Our factory is the most responsive in the industry providing the shortest lead time limiting downtime and loss of production.

CLIMAX
METAL PRODUCTS COMPANY

Engineered Shaft Locking Solutions™

1-800-542-6552

orders@climaxmetal.com

www.climaxmetal.com

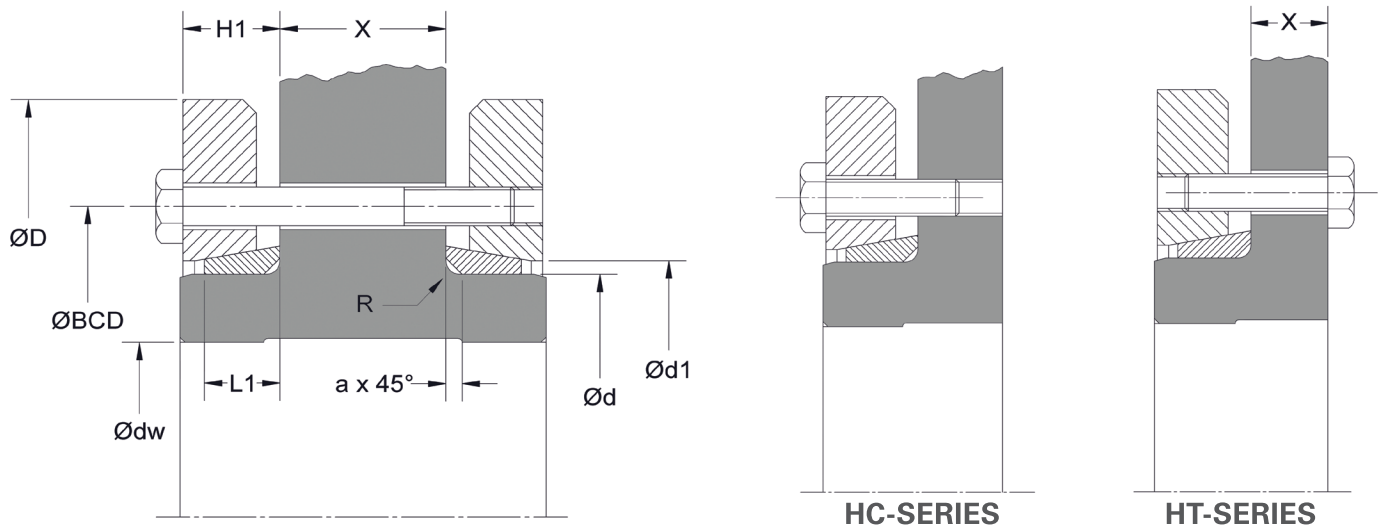
SERIES C733M - SPLIT & HALF STANDARD DUTY

SIZE	Mt (ft-lbs) for					Locking Screws DIN 931 Grade 10.9									
	d	d _w min	d _w max	d _w min	d _w max	QTY	Size	M _s (ft-lbs)	BCD	D	d ₁	H ₁	L ₁	a x 45°	R _{MAX}
14mm	0.551	0.375	0.451	22	55	3	M5	3	0.984	1.50	0.591	0.343	0.244	0.047	0.04
16mm	0.630	0.438	0.516	21	58	3	M5	3	1.063	1.61	0.669	0.382	0.283	0.047	
18mm	0.709	0.500	0.580	52	99	4	M5	3	1.142	1.73	0.748	0.382	0.283	0.047	
20mm	0.787	0.500	0.645	55	148	5	M5	3	1.260	1.81	0.866	0.382	0.283	0.047	
24mm	0.945	0.625	0.774	97	215	6	M5	3	1.417	1.97	1.024	0.453	0.374	0.083	0.08
30mm	1.181	0.750	0.967	122	316	7	M5	3	1.732	2.36	1.260	0.492	0.413	0.083	
36mm	1.417	0.875	1.161	319	675	5	M6	9	2.047	2.83	1.496	0.531	0.453	0.083	
44mm	1.732	1.125	1.419	694	1,215	7	M6	9	2.402	3.15	1.850	0.571	0.492	0.083	
50mm	1.969	1.375	1.612	982	1,590	8	M6	9	2.756	3.54	2.087	0.630	0.531	0.083	0.11
55mm	2.165	1.500	1.773	1,032	1,734	8	M6	9	2.953	3.94	2.283	0.669	0.551	0.114	
62mm	2.441	1.750	1.999	1,746	2,412	10	M6	9	3.386	4.33	2.598	0.669	0.551	0.114	
68mm	2.677	1.875	2.193	1,790	2,646	10	M6	9	3.386	4.53	2.835	0.669	0.551	0.114	
75mm	2.953	2.125	2.418	2,808	4,079	7	M8	22	3.937	5.43	3.110	0.807	0.689	0.146	0.14
80mm	3.150	2.375	2.580	3,435	4,351	7	M8	22	3.937	5.71	3.307	0.807	0.689	0.157	0.15
90mm	3.543	2.500	2.902	4,779	7,175	10	M8	22	4.488	6.10	3.701	0.945	0.787	0.157	
100mm	3.937	2.875	3.224	7,098	9,638	12	M8	22	4.882	6.69	4.094	1.043	0.866	0.157	
110mm	4.331	3.125	3.547	8,873	12,421	9	M10	44	5.354	7.28	4.488	1.161	0.965	0.157	
125mm	4.921	3.500	4.031	13,504	19,262	12	M10	44	6.299	8.46	5.276	1.240	1.024	0.157	0.23
140mm	5.512	4.000	4.514	19,544	26,310	10	M12	74	6.890	9.06	5.709	1.339	1.102	0.236	
155mm	6.102	4.500	4.998	27,370	33,868	12	M12	74	7.559	10.35	6.496	1.417	1.181	0.236	
165mm	6.496	4.875	5.320	37,487	46,845	8	M16	184	8.268	11.42	6.890	1.535	1.299	0.197	
175mm	6.890	5.250	5.643	41,348	49,685	8	M16	184	8.661	11.81	7.283	1.535	1.299	0.236	0.23
185mm	7.283	5.625	5.965	56,434	65,556	10	M16	184	9.291	12.99	7.677	1.870	1.594	0.236	
195mm	7.677	5.875	6.288	71,451	84,390	12	M16	184	9.685	13.78	8.110	1.870	1.594	0.236	
200mm	7.874	6.250	6.449	80,170	86,554	12	M16	184	9.685	13.78	8.110	1.870	1.594	0.236	
220mm	8.661	6.375	7.094	91,633	115,673	15	M16	184	10.630	14.57	8.898	2.343	2.028	0.315	0.31
240mm	9.449	7.000	7.739	130,075	161,101	12	M20	361	11.614	15.94	9.764	2.421	2.106	0.315	
260mm	10.236	7.625	8.383	161,469	204,411	14	M20	361	12.638	16.93	10.551	2.638	2.323	0.315	
280mm	11.024	8.375	9.028	209,648	252,319	16	M20	361	13.622	18.11	11.339	2.992	2.638	0.354	
300mm	11.811	9.000	9.673	256,147	305,461	18	M20	361	14.331	19.09	12.126	3.150	2.795	0.354	0.35
320mm	12.598	9.625	10.318	309,145	358,190	20	M20	361	15.197	20.47	12.913	3.150	2.795	0.354	
340mm	13.386	10.250	10.963	389,660	459,821	24	M20	361	16.063	22.44	13.701	3.465	3.071	0.354	
350mm	13.780	10.875	11.285	430,793	472,106	24	M20	361	17.008	22.83	14.488	3.543	3.150	0.354	
360mm	14.173	11.250	11.608	449,436	485,595	24	M20	361	17.008	23.23	14.488	3.543	3.150	0.354	0.43
380mm	14.961	11.500	12.253	534,665	622,638	20	M24	620	18.031	25.39	15.276	3.622	3.228	0.354	
390mm	15.354	12.250	12.575	632,790	673,459	21	M24	620	18.425	25.98	16.063	3.720	3.327	0.433	
400mm	15.748	12.500	12.898	671,376	718,473	21	M24	620	18.898	26.77	16.063	4.114	3.720	0.433	
420mm	16.535	12.875	13.543	735,159	829,085	24	M24	620	19.843	27.17	16.850	4.114	3.720	0.433	0.55
440mm	17.323	13.500	14.187	768,255	852,059	24	M24	620	20.748	29.53	17.638	4.272	3.878	0.433	
460mm	18.110	14.125	14.832	788,870	890,789	24	M24	620	21.535	30.31	18.425	4.272	3.878	0.433	
480mm	18.898	14.750	15.477	1,046,419	1,175,658	30	M24	620	22.441	31.50	19.213	4.783	4.291	0.551	
500mm	19.685	15.375	16.122	1,167,156	1,307,486	24	M27	922	23.228	33.46	20.000	4.783	4.291	0.551	

All dimensions are shown in inches unless stated otherwise. All dimensions and capacities are subject to change without notice.

Shaft Diameter d _w (inches)		Tw = Max. Diametrical Clearance Between Shaft and Hub Bore
Over	To and Including	
	1 1/8	0.0010
1 1/8	1 15/16	0.0015
1 15/16	4 3/4	0.0020
4 3/4	7	0.0030
7	10	0.0040
10	14	0.0050
14		0.0060

SERIES C732M - SPLIT & HALF HEAVY DUTY



SIZE	Mt (ft-lbs) for					Locking Screws DIN 931 Grade 10.9									
	d	d _w min	d _w max	d _w min	d _w max	QTY	Size	M _a (ft-lbs)	BCD	D	d ₁	H ₁	L ₁	a x 45°	R _{MAX}
40mm	1.575	1.000	1.290	620	1,180	4	M8	22	2.441	3.15	1.732	0.728	0.591	0.083	0.08
44mm	1.732	1.125	1.419	935	1,649	5	M8	22	2.598	3.35	1.890	0.769	0.669	0.083	
50mm	1.969	1.375	1.612	1,772	2,764	7	M8	22	2.874	3.74	2.126	0.866	0.689	0.083	
55mm	2.165	1.500	1.773	1,903	3,040	7	M8	22	3.071	4.13	2.323	0.866	0.689	0.083	
62mm	2.441	1.750	1.999	2,367	3,263	7	M8	22	3.346	4.53	2.598	0.866	0.689	0.083	
68mm	2.677	1.875	2.193	2,877	4,193	8	M8	22	3.622	4.72	2.834	0.866	0.689	0.114	0.11
75mm	2.953	2.125	2.418	4,478	6,436	7	M10	44	4.134	5.71	3.307	1.004	0.807	0.114	
80mm	3.150	2.375	2.580	5,454	6,865	7	M10	44	4.134	5.71	3.307	1.004	0.807	0.114	
90mm	3.543	2.500	2.902	5,849	8,863	8	M10	44	4.567	6.30	3.701	1.181	0.984	0.146	0.146
100mm	3.937	2.875	3.224	9,225	12,523	10	M10	44	4.961	6.69	4.094	1.260	1.063	0.157	0.15
110mm	4.331	3.125	3.547	11,930	16,639	12	M10	44	5.433	7.28	4.488	1.378	1.181	0.157	
125mm	4.921	3.500	4.031	19,984	28,242	12	M12	74	6.299	8.46	5.157	1.496	1.260	0.236	0.23
140mm	5.512	4.000	4.514	23,149	31,334	12	M12	74	6.890	9.06	5.748	1.654	1.378	0.236	
155mm	6.102	4.500	4.998	33,973	42,047	15	M12	74	7.795	10.35	6.614	1.772	1.496	0.236	
165mm	6.496	4.875	5.320	46,646	58,382	10	M16	184	8.268	11.42	6.890	1.929	1.614	0.236	
175mm	6.890	5.250	5.643	51,464	61,920	10	M16	184	8.661	11.81	7.283	1.929	1.614	0.236	
185mm	7.283	5.625	5.965	86,296	99,759	15	M16	184	9.291	12.99	7.677	2.402	2.008	0.236	0.31
195mm	7.677	5.875	6.288	88,918	105,151	15	M16	184	9.685	13.78	8.110	2.500	2.106	0.315	
200mm	7.874	6.250	6.449	99,837	107,847	15	M16	184	9.685	13.78	8.110	2.500	2.106	0.315	
220mm	8.661	6.375	7.094	122,664	154,750	20	M16	184	10.630	14.57	8.898	2.933	2.539	0.315	
240mm	9.449	7.000	7.739	161,804	200,526	15	M20	361	11.614	15.94	9.685	3.130	2.657	0.315	
260mm	10.236	7.625	8.383	206,795	262,157	18	M20	361	12.638	16.93	10.551	3.445	2.972	0.315	0.35
280mm	11.024	8.375	9.028	260,761	314,308	20	M20	361	13.622	18.11	11.339	3.780	3.307	0.354	
300mm	11.811	9.000	9.673	280,470	335,909	20	M20	361	14.331	19.09	12.126	3.858	3.386	0.354	
320mm	12.598	9.625	10.318	367,340	425,978	24	M20	361	15.197	20.47	12.913	4.016	3.543	0.354	
340mm	13.386	10.250	10.963	462,664	547,471	20	M24	620	16.535	22.44	13.701	4.331	3.858	0.354	
350mm	13.780	10.875	11.285	542,470	594,477	21	M24	620	16.732	22.83	14.094	4.331	3.858	0.354	0.43
360mm	14.173	11.250	11.608	534,699	578,401	20	M24	620	17.008	23.23	14.488	4.508	4.035	0.433	
390mm	15.354	11.625	12.575	628,540	761,583	24	M24	620	18.425	25.98	15.748	4.665	4.193	0.433	
420mm	16.535	12.875	13.543	915,147	1,033,011	30	M24	620	19.843	27.17	16.850	5.177	4.705	0.433	0.55
460mm	18.110	13.625	14.832	1,142,130	1,401,089	28	M27	922	21.535	30.31	18.425	5.551	5.000	0.551	
500mm	19.685	14.875	16.122	1,440,331	1,745,791	32	M27	922	23.228	33.46	20.000	5.984	5.433	0.551	

All dimensions are shown in inches unless stated otherwise. All dimensions are capacities are subject to change without notice.

	Web clearance holes (diameter in mm)									
screw size	M5	M6	M8	M10	M12	M16	M20	M24	M27	
split shrink disc	7	8	10	13	15	19	23	27	30	
half shrink disc type HT	6	7	9	11	13	18	22	26	30	

Climax is a 68 year old company headquartered in Mentor, Ohio. Our product line of keyless locking devices is the highest quality European product supported by application and product engineers with experience second to none.

In June 2011, Climax entered into an exclusive agreement with MAV S.p.A. of Bosentino, Italy to market and sell MAV's Keyless Locking Devices in the North American market. Perched on a hillside in the breathtaking Dolomites, the foothills of the Alps, MAV has been a worldwide leader in the design and manufacture of Keyless Locking Devices and related products for over 30 years.

By joining forces, Climax and MAV offer the North American OEM and industrial distribution markets an unparalleled combination of product quality, extensive inventory, design and application acumen, and flexible manufacturing with attractive lead times. Together we have unsurpassed knowledge about KLDs and their applications.

