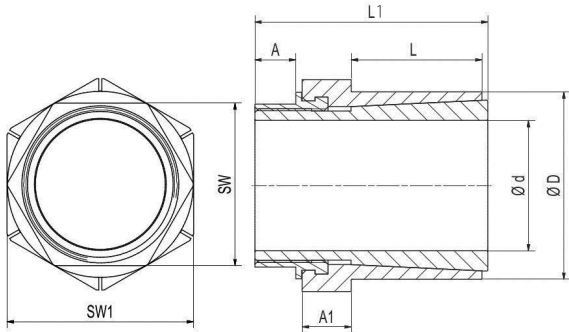


Series C801 Single Nut Locking Assembly

Climax C801 single nut locking assemblies deliver a mechanical interference fit and provide a high torque capacity without the backlash of traditional keyed connections.

Climax Series C801 Features:

- Single nut design allows for quick and simple installation
- Lower contact pressure
- Limited axial movement of mounted component during installation
- Zinc plated for corrosion resistance
- Imperial shaft sizes 5/8" to 3" and metric sizes 15mm to 75mm
- Available from stock in Mentor, Ohio
- Shaft and bore tolerance on all sizes: ± .003



METRIC

Climax Part No.	Shaft Size (mm)	d (in)	D (mm)	L (mm)	L ₁ (mm)	SW (mm)	SW1 (in)	A (mm)	A1 (mm)	M _a (Nm)	M _t (Nm)	F _{ax} (kN)	P _s (psi)	P _h (psi)
C801M-015	15	0.591	38	19.1	38.1	32	1.500	8	8.9	136	218	29	39,013	15,373
C801M-016	16	0.630	38	19.1	38.1	32	1.500	8	8.9	136	232	29	36,548	15,374
C801M-017	17	0.669	38	19.1	38.1	32	1.500	8	8.9	136	247	29	34,372	15,374
C801M-018	18	0.709	38	19.1	38.1	32	1.500	8	8.9	136	261	29	32,487	15,374
C801M-019	19	0.748	38	19.1	38.1	32	1.500	8	8.9	136	276	29	30,746	15,374
C801M-020	20	0.787	45	22.2	47.6	38	1.750	11.1	9.5	170	304	30	26,250	11,748
C801M-022	22	0.866	45	22.2	47.6	38	1.750	11.1	9.5	170	334	30	23,930	11,748
C801M-024	24	0.945	45	22.2	47.6	38	1.750	11.1	9.5	170	364	30	21,900	11,748
C801M-025	25	0.984	45	22.2	47.6	38	1.750	11.1	9.5	170	380	30	21,029	11,748
C801M-028	28	1.102	51	25.4	57.2	46	2.000	12.7	14.3	225	483	34	18,709	10,298
C801M-030	30	1.181	51	25.4	57.2	46	2.000	12.7	14.3	225	517	34	17,404	10,298
C801M-032	32	1.260	51	25.4	57.2	46	2.000	12.7	14.3	225	552	34	16,243	10,298
C801M-034	34	1.339	60.5	38.1	69.9	50	2.375	14.3	12.7	260	591	35	10,297	5,802
C801M-035	35	1.378	60.5	38.1	69.9	50	2.375	14.3	12.7	260	608	35	10,007	5,802
C801M-036	36	1.417	60.5	38.1	69.9	50	2.375	14.3	12.7	260	626	35	9,717	5,802
C801M-038	38	1.496	60.5	38.1	69.9	50	2.375	14.3	12.7	260	660	35	9,282	5,802
C801M-040	40	1.575	67	42.9	79.4	60	2.625	14.3	17.5	316	741	37	8,267	4,931
C801M-042	42	1.654	67	42.9	79.4	60	2.625	14.3	17.5	316	778	37	7,977	4,931
C801M-045	45	1.772	73	50.8	90.5	65	2.875	15.9	19.1	554	1,277	57	9,572	5,947
C801M-048	48	1.890	73	50.8	90.5	65	2.875	15.9	19.1	554	1,363	57	8,992	5,947
C801M-050	50	1.969	73	50.8	90.5	65	2.875	15.9	19.1	554	1,419	57	8,557	5,947
C801M-055	55	2.165	80	54.0	95.3	70	3.126	15.9	19.1	600	1,593	58	7,542	5,221
C801M-060	60	2.362	86	57.2	98.4	75	3.374	17.5	20.7	635	1,684	56	6,236	4,351
C801M-065	65	2.559	92	60.3	103.2	82	3.626	17.5	20.7	680	1,770	54	5,366	3,771
C801M-070	70	2.756	92	60.3	103.2	82	3.626	17.5	20.7	680	1,906	54	4,931	3,771
C801M-075	75	2.953	100	63.5	108.0	90	3.874	17.5	20.7	750	2,081	55	4,496	3,336

* All dimensions and capacities are subject to change without notice.