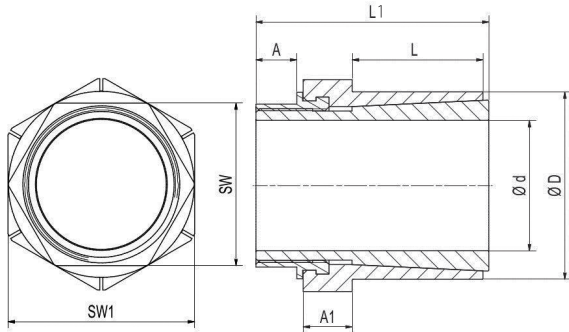


## Series C801 Single Nut Locking Assembly

Climax C801 single nut locking assemblies deliver a mechanical interference fit and provide a high torque capacity without the backlash of traditional keyed connections.

### Climax Series C801 Features:

- Single nut design allows for quick and simple installation
- Lower contact pressure
- Limited axial movement of mounted component during installation
- Zinc plated for corrosion resistance
- Imperial shaft sizes 5/8" to 3" and metric sizes 15mm to 75mm
- Available from stock in Mentor, Ohio
- Shaft and bore tolerance on all sizes: ± .003



INCH														
Climax Part No.	Shaft Size (in)	d (in)	D (in)	L (in)	L <sub>1</sub> (in)	SW (in)	SW1 (in)	A (in)	A1 (in)	M <sub>a</sub> (ft-lb)	M <sub>t</sub> (ft-lb)	F <sub>ax</sub> (lb.F)	P <sub>s</sub> (psi)	P <sub>h</sub> (psi)
C801E-062	5/8	0.625	1.500	0.750	1.500	1.250	1.500	0.313	0.313	100	169	6,504	36,807	15,336
C801E-068	11/16	0.688	1.500	0.750	1.500	1.250	1.500	0.313	0.313	100	186	6,504	33,461	15,336
C801E-075	3/4	0.750	1.500	0.750	1.500	1.250	1.500	0.313	0.313	100	203	6,504	30,673	15,336
C801E-081	13/16	0.813	1.750	0.875	1.875	1.500	1.750	0.438	0.375	125	230	6,806	25,387	11,787
C801E-087	7/8	0.875	1.750	0.875	1.875	1.500	1.750	0.438	0.375	125	248	6,806	23,573	11,787
C801E-093	15/16	0.938	1.750	0.875	1.875	1.500	1.750	0.438	0.375	125	266	6,806	22,002	11,787
C801E-100	1	1.000	1.750	0.875	1.875	1.500	1.750	0.438	0.375	125	284	6,806	20,627	11,787
C801E-106	1 1/16	1.063	2.000	1.000	2.250	1.750	2.000	0.500	0.563	167	345	7,798	19,468	10,342
C801E-112	1 1/8	1.125	2.000	1.000	2.250	1.750	2.000	0.500	0.563	167	366	7,798	18,386	10,342
C801E-118	1 3/16	1.188	2.000	1.000	2.250	1.750	2.000	0.500	0.563	167	386	7,798	17,419	10,342
C801E-125	1 1/4	1.250	2.000	1.000	2.250	1.750	2.000	0.500	0.563	167	406	7,798	16,548	10,342
C801E-131	1 5/16	1.313	2.375	1.500	2.750	2.000	2.375	0.563	0.500	192	428	7,823	10,540	5,825
C801E-137	1 3/8	1.375	2.375	1.500	2.750	2.000	2.375	0.563	0.500	192	448	7,823	10,061	5,825
C801E-143	1 7/16	1.438	2.375	1.500	2.750	2.000	2.375	0.563	0.500	192	469	7,823	9,623	5,825
C801E-150	1 1/2	1.500	2.375	1.500	2.750	2.000	2.375	0.563	0.500	192	489	7,823	9,222	5,825
C801E-156	1 9/16	1.563	2.625	1.688	3.125	2.250	2.625	0.563	0.688	234	544	8,359	8,410	5,006
C801E-162	1 5/8	1.625	2.625	1.688	3.125	2.250	2.625	0.563	0.688	234	566	8,359	8,086	5,006
C801E-168	1 11/16	1.688	2.625	1.688	3.125	2.250	2.625	0.563	0.688	234	588	8,359	7,787	5,006
C801E-175	1 3/4	1.750	2.625	1.688	3.125	2.250	2.625	0.563	0.688	234	609	8,359	7,509	5,006
C801E-181	1 13/16	1.813	2.875	2.000	3.563	2.500	2.875	0.625	0.750	409	965	12,775	9,348	5,894
C801E-187	1 7/8	1.875	2.875	2.000	3.563	2.500	2.875	0.625	0.750	409	998	12,775	9,037	5,894
C801E-193	1 15/16	1.938	2.875	2.000	3.563	2.500	2.875	0.625	0.750	409	1,031	12,775	8,745	5,894
C801E-200	2	2.000	2.875	2.000	3.563	2.500	2.875	0.625	0.750	409	1,065	12,775	8,472	5,894
C801E-206	2 1/16	2.063	3.125	2.125	3.750	2.750	3.125	0.625	0.813	442	1,118	13,007	7,871	5,195
C801E-212	2 1/8	2.125	3.125	2.125	3.750	2.750	3.125	0.625	0.813	442	1,152	13,007	7,640	5,195
C801E-218	2 3/16	2.188	3.125	2.125	3.750	2.750	3.125	0.625	0.813	442	1,186	13,007	7,422	5,195
C801E-225	2 1/4	2.250	3.125	2.125	3.750	2.750	3.125	0.625	0.813	442	1,219	13,007	7,215	5,195
C801E-231	2 5/16	2.313	3.375	2.250	3.875	3.000	3.375	0.688	0.750	467	1,213	12,585	6,416	4,396
C801E-237	2 3/8	2.375	3.375	2.250	3.875	3.000	3.375	0.688	0.750	467	1,245	12,585	6,247	4,396
C801E-243	2 7/16	2.438	3.375	2.250	3.875	3.000	3.375	0.688	0.750	467	1,278	12,585	6,087	4,396
C801E-250	2 1/2	2.500	3.375	2.250	3.875	3.000	3.375	0.688	0.750	467	1,311	12,585	5,934	4,396
C801E-256	2 9/16	2.563	3.625	2.375	4.063	3.250	3.625	0.688	0.813	500	1,303	12,205	5,319	3,760
C801E-262	2 5/8	2.625	3.625	2.375	4.063	3.250	3.625	0.688	0.813	500	1,335	12,205	5,192	3,760
C801E-268	2 11/16	2.688	3.625	2.375	4.063	3.250	3.625	0.688	0.813	500	1,367	12,205	5,072	3,760
C801E-275	2 3/4	2.750	3.625	2.375	4.063	3.250	3.625	0.688	0.813	500	1,398	12,205	4,956	3,760
C801E-281	2 13/16	2.813	3.875	2.500	4.250	3.500	3.875	0.750	0.813	550	1,453	12,402	4,679	3,396
C801E-287	2 7/8	2.875	3.875	2.500	4.250	3.500	3.875	0.750	0.813	550	1,486	12,402	4,577	3,396
C801E-293	2 15/16	2.938	3.875	2.500	4.250	3.500	3.875	0.750	0.813	550	1,518	12,402	4,480	3,396
C801E-300	3	3.000	3.875	2.500	4.250	3.500	3.875	0.750	0.813	550	1,550	12,402	4,386	3,396

\* All dimensions and capacities are subject to change without notice.