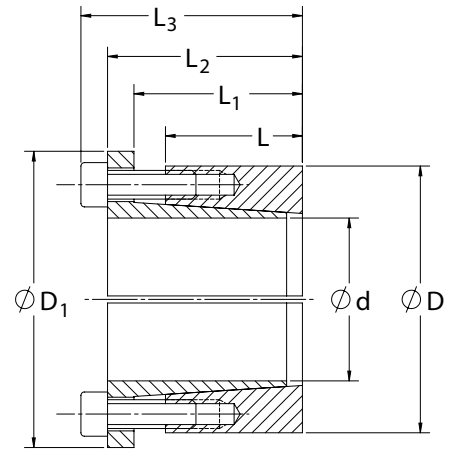




SERIES C192 LOCKING ASSEMBLY

- Drop-in replacement for commonly used hex nut keyless bushings
- Simple installation using annular M6 Socket Head Cap Screws
- No axial movement of mounted component during installation

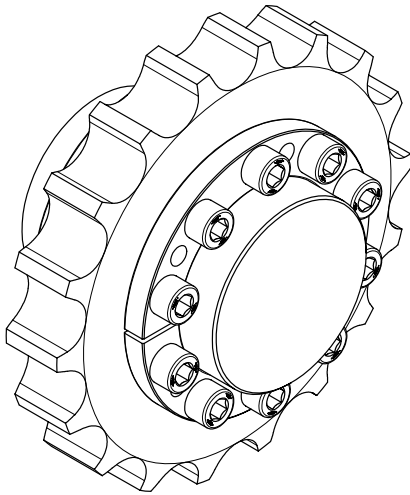


Inch

CLIMAX Part No.	Shaft Size (in)				L	L ₁	L ₂	L ₃	M _t (in-lbs)	F _{ax} (lbs.F)	P _s (psi)	P _h (psi)	D _n *	Locking Screws		
	d	D	D ₁	Qty.										Size	M _a (in-lbs)	
C192E-062	5/8	0.625	1.500	1.693	0.551	0.750	0.984	1.220	1,708	5,471	24,827	10,348	1.896	4	M6 x 20	150
C192E-068	11/16	0.688	1.500	1.693	0.551	0.750	0.984	1.220	1,876	5,471	22,580	10,348	1.896	4	M6 x 20	150
C192E-075	3/4	0.750	1.500	1.693	0.551	0.750	0.984	1.220	2,053	5,471	20,695	10,348	1.896	4	M6 x 20	150
C192E-081	13/16	0.813	1.750	1.969	0.677	0.875	1.110	1.346	2,779	6,839	20,435	9,489	2.168	5	M6 x 20	150
C192E-087	7/8	0.875	1.750	1.969	0.677	0.875	1.110	1.346	2,992	6,839	18,973	9,489	2.168	5	M6 x 20	150
C192E-093	15/16	0.938	1.750	1.969	0.677	0.875	1.110	1.346	3,204	6,839	17,714	9,489	2.168	5	M6 x 20	150
C192E-100	1	1.000	1.750	1.969	0.677	0.875	1.110	1.346	3,416	6,839	16,605	9,489	2.168	5	M6 x 20	150
C192E-106	1 1/16	1.063	2.000	2.244	0.764	1.000	1.236	1.472	4,363	8,207	16,390	8,708	2.433	6	M6 x 20	150
C192E-112	1 1/8	1.125	2.000	2.244	0.764	1.000	1.236	1.472	4,620	8,207	15,478	8,708	2.433	6	M6 x 20	150
C192E-118	1 3/16	1.188	2.000	2.244	0.764	1.000	1.236	1.472	4,877	8,207	14,667	8,708	2.433	6	M6 x 20	150
C192E-125	1 1/4	1.250	2.000	2.244	0.764	1.000	1.236	1.472	5,133	8,207	13,933	8,708	2.433	6	M6 x 20	150
C192E-131	1 5/16	1.313	2.375	2.638	1.220	1.500	1.732	1.969	7,178	10,943	11,825	6,535	2.749	8	M6 x 20	150
C192E-137	1 3/8	1.375	2.375	2.638	1.220	1.500	1.732	1.969	7,523	10,943	11,287	6,535	2.749	8	M6 x 20	150
C192E-143	1 7/16	1.438	2.375	2.638	1.220	1.500	1.732	1.969	7,868	10,943	10,798	6,535	2.749	8	M6 x 20	150
C192E-150	1 1/2	1.500	2.375	2.638	1.220	1.500	1.732	1.969	8,205	10,943	10,348	6,535	2.749	8	M6 x 20	150
C192E-156	1 9/16	1.563	2.625	2.874	1.409	1.688	1.921	2.157	8,550	10,943	8,819	5,249	2.952	8	M6 x 20	150
C192E-162	1 5/8	1.625	2.625	2.874	1.409	1.688	1.921	2.157	8,895	10,943	8,480	5,249	2.952	8	M6 x 20	150
C192E-168	1 11/16	1.688	2.625	2.874	1.409	1.688	1.921	2.157	9,231	10,943	8,167	5,249	2.952	8	M6 x 20	150
C192E-175	1 3/4	1.750	2.625	2.874	1.409	1.688	1.921	2.157	9,577	10,943	7,875	5,249	2.952	8	M6 x 20	150
C192E-181	1 13/16	1.813	2.875	3.189	1.724	2.000	2.236	2.472	9,922	10,943	6,406	4,038	3.146	8	M6 x 20	150
C192E-187	1 7/8	1.875	2.875	3.189	1.724	2.000	2.236	2.472	10,258	10,943	6,192	4,038	3.146	8	M6 x 20	150
C192E-193	1 15/16	1.938	2.875	3.189	1.724	2.000	2.236	2.472	10,603	10,943	5,993	4,038	3.146	8	M6 x 20	150
C192E-200	2	2.000	2.875	3.189	1.724	2.000	2.236	2.472	10,940	10,943	5,805	4,038	3.146	8	M6 x 20	150

All dimensions are shown in inches unless stated otherwise. All dimensions and capacities are subject to change without notice.

* Minimum hub outside diameter based on a Pressure Reduction Factor of C=1.0 and hub material with tensile yield point \geq 45,000 psi. For details refer to page 8.



SERIES C192 LOCKING ASSEMBLY

CLIMAX Series C192 installed in a roller chain sprocket. Note that unlike with many hex nut keyless bushings, the sprocket does not move axially during installation, greatly simplifying chain alignment. Our Series C192 is supplied Zinc plated from stock for added corrosion protection.



Metric

CLIMAX Part No.	Shaft Size (mm)	d	D	D ₁	L	L ₁	L ₂	L ₃	M _t (in-lbs)	F _{ax} (lbs.F)	P _s (psi)	P _h (psi)	D _n *	Locking Screws		
														Qty.	Size	M _a (in-lbs)
C192M-15X38	15	0.591	1.496	1.693	0.551	0.750	0.984	1.220	1,620	5,471	26,283	10,375	1.892	4	M6 x 20	150
C192M-16X38	16	0.630	1.496	1.693	0.551	0.750	0.984	1.220	1,726	5,471	24,641	10,375	1.892	4	M6 x 20	150
C192M-17X38	17	0.669	1.496	1.693	0.551	0.750	0.984	1.220	1,832	5,471	23,191	10,375	1.892	4	M6 x 20	150
C192M-18X38	18	0.709	1.496	1.693	0.551	0.750	0.984	1.220	1,938	5,471	21,903	10,375	1.892	4	M6 x 20	150
C192M-19X38	19	0.748	1.496	1.693	0.551	0.750	0.984	1.220	2,045	5,471	20,750	10,375	1.892	4	M6 x 20	150
C192M-20X45	20	0.787	1.772	1.969	0.677	0.875	1.110	1.346	2,691	6,839	21,089	9,373	2.189	5	M6 x 20	150
C192M-22X45	22	0.866	1.772	1.969	0.677	0.875	1.110	1.346	2,965	6,839	19,172	9,373	2.189	5	M6 x 20	150
C192M-24X45	24	0.945	1.772	1.969	0.677	0.875	1.110	1.346	3,231	6,839	17,574	9,373	2.189	5	M6 x 20	150
C192M-25X45	25	0.984	1.772	1.969	0.677	0.875	1.110	1.346	3,363	6,839	16,871	9,373	2.189	5	M6 x 20	150
C192M-28X51	28	1.102	2.008	2.244	0.764	1.000	1.236	1.472	4,523	8,207	15,799	8,674	2.441	6	M6 x 20	150
C192M-30X51	30	1.181	2.008	2.244	0.764	1.000	1.236	1.472	4,850	8,207	14,746	8,674	2.441	6	M6 x 20	150
C192M-32X51	32	1.260	2.008	2.244	0.764	1.000	1.236	1.472	5,169	8,207	13,824	8,674	2.441	6	M6 x 20	150
C192M-34X60.5	34	1.339	2.382	2.638	1.220	1.500	1.732	1.969	7,320	10,943	11,596	6,517	2.756	8	M6 x 20	150
C192M-35X60.5	35	1.378	2.382	2.638	1.220	1.500	1.732	1.969	7,541	10,943	11,264	6,517	2.756	8	M6 x 20	150
C192M-36X60.5	36	1.417	2.382	2.638	1.220	1.500	1.732	1.969	7,753	10,943	10,951	6,517	2.756	8	M6 x 20	150
C192M-38X60.5	38	1.496	2.382	2.638	1.220	1.500	1.732	1.969	8,187	10,943	10,375	6,517	2.756	8	M6 x 20	150
C192M-40X67	40	1.575	2.638	2.874	1.409	1.688	1.921	2.157	8,621	10,943	8,751	5,224	2.964	8	M6 x 20	150
C192M-42X67	42	1.654	2.638	2.874	1.409	1.688	1.921	2.157	9,045	10,943	8,334	5,224	2.964	8	M6 x 20	150
C192M-45X73	45	1.772	2.874	3.189	1.724	2.000	2.236	2.472	9,692	10,943	6,554	4,040	3.145	8	M6 x 20	150
C192M-48X73	48	1.890	2.874	3.189	1.724	2.000	2.236	2.472	10,338	10,943	6,144	4,040	3.145	8	M6 x 20	150
C192M-50X73	50	1.969	2.874	3.189	1.724	2.000	2.236	2.472	10,771	10,943	5,898	4,040	3.145	8	M6 x 20	150

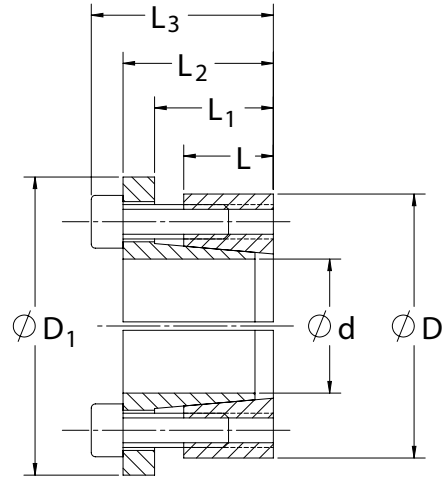
All dimensions are shown in inches unless stated otherwise. All dimensions and capacities are subject to change without notice.

* Minimum hub outside diameter based on a Pressure Reduction Factor of C=1.0 and hub material with tensile yield point ≥ 45,000 psi. For details refer to page 8.



SERIES C193 LOCKING ASSEMBLY

- Single taper, compact design for smaller shaft diameters
- Self-centering for excellent concentricity
- No axial movement of mounted component during installation

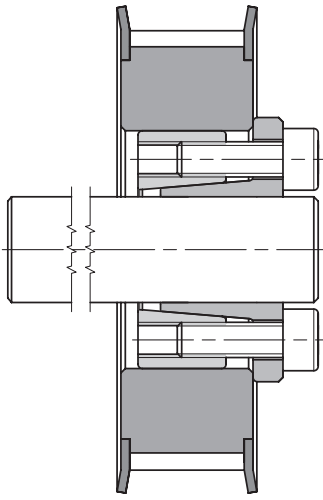


Inch

CLIMAX Part No.	Shaft Size (in)	d	D	D ₁	L	L ₁	L ₂	L ₃	M _t (in-lbs)	F _{ax} (lbs.F)	P _s (psi)	P _h (psi)	D _n *	Locking Screws		
														Qty.	Size	M _a (in-lbs)
C193E-025	1/4	0.2500	0.8125	0.9375	0.394	0.516	0.650	0.807	185	1,479	39,820	12,252	1.074	3	M4 x 12	40
C193E-031	5/16	0.3125	0.8750	1.0000	0.394	0.516	0.650	0.807	257	1,643	35,396	12,641	1.168	3	M4 x 12	44
C193E-037	3/8	0.3750	0.9375	1.0625	0.394	0.516	0.650	0.807	308	1,643	29,496	11,799	1.226	3	M4 x 12	44
C193E-050	1/2	0.5000	1.0625	1.1875	0.394	0.516	0.650	0.807	548	2,191	29,496	13,881	1.462	4	M4 x 12	44
C193E-062	5/8	0.6250	1.1875	1.3125	0.472	0.594	0.807	0.964	1,027	3,286	29,546	15,551	1.703	6	M4 x 14	44
C193E-075	3/4	0.7500	1.3125	1.4375	0.472	0.594	0.807	0.964	1,232	3,286	24,622	14,070	1.814	6	M4 x 14	44
C193E-087	7/8	0.8750	1.5625	1.7500	0.591	0.754	0.984	1.181	2,309	5,277	27,070	15,159	2.219	6	M5 x 18	89
C193E-100	1	1.0000	1.6875	1.8750	0.591	0.754	0.984	1.181	3,518	7,037	31,582	18,715	2.627	8	M5 x 18	89
C193E-112	1 1/8	1.1250	1.8750	2.0000	0.669	0.829	1.102	1.299	4,453	7,916	27,900	16,740	2.771	9	M5 x 18	89
C193E-118	1 3/16	1.1875	1.9375	2.0625	0.669	0.829	1.102	1.299	5,222	8,796	29,368	18,000	2.960	10	M5 x 18	89
C193E-125	1 1/4	1.2500	2.0000	2.1250	0.669	0.829	1.102	1.299	5,497	8,796	27,900	17,437	3.010	10	M5 x 18	89
C193E-137	1 3/8	1.3750	2.1250	2.2500	0.669	0.829	1.102	1.299	6,047	8,796	25,364	16,412	3.115	10	M5 x 18	89

All dimensions are shown in inches unless stated otherwise. All dimensions and capacities are subject to change without notice.

* Minimum hub outside diameter based on a Pressure Reduction Factor of C=1.0 and hub material with tensile yield point \geq 45,000 psi. For details refer to page 8.



SERIES C193 LOCKING ASSEMBLY

CLIMAX Series C193 mounts an aluminum synchronous pulley on a brushless servo motor. Many of today's high performance servo and stepper drives are supplied with no keyway.



Metric

CLIMAX Part No.	Shaft Size (mm)									M _t (in-lbs)	F _{ax} (lbs.F)	P _s (psi)	P _h (psi)	D _n *	Locking Screws		
		d	D	D ₁	L	L ₁	L ₂	L ₃	Qty.						Size	M _a (in-lbs)	
C193M-6	6	0.2362	0.8125	0.9375	0.394	0.516	0.650	0.807	175	1,479	42,143	12,252	1.074	3	M4 x 12	40	
C193M-8	8	0.3150	0.8750	1.0000	0.394	0.516	0.650	0.807	259	1,643	35,119	12,641	1.168	3	M4 x 12	44	
C193M-10	10	0.3937	0.9375	1.0625	0.394	0.516	0.650	0.807	323	1,643	28,095	11,799	1.226	3	M4 x 12	44	
C193M-11	11	0.4331	1.0625	1.1875	0.394	0.516	0.650	0.807	474	2,191	34,055	13,881	1.462	4	M4 x 12	44	
C193M-12	12	0.4724	1.0625	1.1875	0.394	0.516	0.650	0.807	517	2,191	31,217	13,881	1.462	4	M4 x 12	44	
C193M-14	14	0.5512	1.1875	1.3125	0.472	0.594	0.807	0.964	906	3,286	33,504	15,551	1.703	6	M4 x 14	44	
C193M-15	15	0.5906	1.1875	1.3125	0.472	0.594	0.807	0.964	970	3,286	31,270	15,551	1.703	6	M4 x 14	44	
C193M-16	16	0.6299	1.1875	1.3125	0.472	0.594	0.807	0.964	1,035	3,286	29,316	15,551	1.703	6	M4 x 14	44	
C193M-19	19	0.7480	1.3125	1.4375	0.472	0.594	0.807	0.964	1,229	3,286	24,687	14,070	1.814	6	M4 x 14	44	
C193M-20	20	0.7874	1.5625	1.7500	0.591	0.754	0.984	1.181	2,078	5,277	30,082	15,159	2.219	6	M5 x 18	89	
C193M-22	22	0.8661	1.5625	1.7500	0.591	0.754	0.984	1.181	2,285	5,277	27,347	15,159	2.219	6	M5 x 18	89	
C193M-24	24	0.9449	1.6875	1.8750	0.591	0.754	0.984	1.181	3,324	7,037	33,424	18,715	2.627	8	M5 x 18	89	
C193M-25	25	0.9843	1.6875	1.8750	0.591	0.754	0.984	1.181	3,463	7,037	32,087	18,715	2.627	8	M5 x 18	89	
C193M-28	28	1.1024	1.8750	2.0000	0.669	0.829	1.102	1.299	4,363	7,916	28,473	16,740	2.771	9	M5 x 18	89	
C193M-30	30	1.1811	1.9375	2.0625	0.669	0.829	1.102	1.299	5,194	8,796	29,527	18,000	2.960	10	M5 x 18	89	
C193M-32	32	1.2598	2.0000	2.1250	0.669	0.829	1.102	1.299	5,541	8,796	27,682	17,437	3.010	10	M5 x 18	89	
C193M-35	35	1.3780	2.1250	2.2500	0.669	0.829	1.102	1.299	6,060	8,796	25,309	16,412	3.115	10	M5 x 18	89	

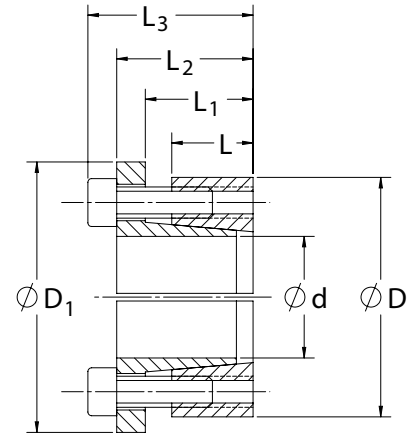
All dimensions are shown in inches unless stated otherwise. All dimensions and capacities are subject to change without notice.

* Minimum hub outside diameter based on a Pressure Reduction Factor of C=1.0 and hub material with tensile yield point ≥ 45,000 psi. For details refer to page 8.



SERIES C133 LOCKING ASSEMBLY

- Single taper design with flange
- Excellent concentricity
- No axial movement of mounted component during installation

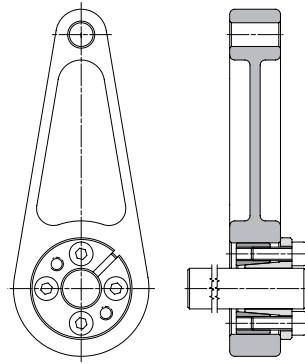


Inch

CLIMAX Part No.	Shaft Size (in)	d	D	D ₁	L	L ₁	L ₂	L ₃	M _t (ft-lbs)	F _{ax} (lbs.F)	P _s (psi)	P _h (psi)	D _n *	Locking Screws		
														Qty.	Size	M _a (ft-lbs)
C133E-075	3/4	0.750	1.850	2.047	0.669	0.886	1.122	1.358	196	6,265	33,106	13,418	2.517	5	M6 x 20	13
C133E-087	7/8	0.875	1.850	2.047	0.669	0.886	1.122	1.358	228	6,265	28,376	13,418	2.517	5	M6 x 20	13
C133E-100	1	1.000	1.969	2.224	0.669	0.886	1.122	1.358	313	7,518	29,795	15,136	2.793	6	M6 x 20	13
C133E-112	1 1/8	1.125	2.165	2.421	0.669	0.886	1.122	1.358	352	7,518	26,485	13,760	2.970	6	M6 x 20	13
C133E-118	1 3/16	1.188	2.165	2.421	0.669	0.886	1.122	1.358	372	7,518	25,091	13,760	2.970	6	M6 x 20	13
C133E-125	1 1/4	1.250	2.362	2.618	0.669	0.886	1.122	1.358	522	10,024	31,781	16,818	3.499	8	M6 x 20	13
C133E-137	1 3/8	1.375	2.362	2.618	0.669	0.886	1.122	1.358	574	10,024	28,892	16,818	3.499	8	M6 x 20	13
C133E-143	1 7/16	1.438	2.559	2.815	0.669	0.886	1.122	1.358	600	10,024	27,636	15,524	3.667	8	M6 x 20	13
C133E-150	1 1/2	1.500	2.559	2.815	0.669	0.886	1.122	1.358	626	10,024	26,485	15,524	3.667	8	M6 x 20	13
C133E-162	1 5/8	1.625	2.953	3.287	0.787	1.043	1.358	1.673	1,097	16,206	33,596	18,489	4.569	7	M8 x 25	30
C133E-168	1 11/16	1.688	2.953	3.287	0.787	1.043	1.358	1.673	1,139	16,206	32,351	18,489	4.569	7	M8 x 25	30
C133E-175	1 3/4	1.750	2.953	3.287	0.787	1.043	1.358	1.673	1,182	16,206	31,196	18,489	4.569	7	M8 x 25	30
C133E-187	1 7/8	1.875	3.150	3.484	0.787	1.043	1.358	1.673	1,266	16,206	29,116	17,333	4.728	7	M8 x 25	30
C133E-193	1 15/16	1.938	3.150	3.484	0.787	1.043	1.358	1.673	1,308	16,206	28,177	17,333	4.728	7	M8 x 25	30
C133E-200	2	2.000	3.150	3.484	0.787	1.043	1.358	1.673	1,350	16,206	27,297	17,333	4.728	7	M8 x 25	30
C133E-212	2 1/8	2.125	3.346	3.681	0.787	1.043	1.358	1.673	1,640	18,521	29,361	18,644	5.200	8	M8 x 25	30
C133E-218	2 3/16	2.188	3.346	3.681	0.787	1.043	1.358	1.673	1,688	18,521	28,522	18,644	5.200	8	M8 x 25	30
C133E-225	2 1/4	2.250	3.543	3.858	0.787	1.043	1.358	1.673	1,736	18,521	27,730	17,608	5.357	8	M8 x 25	30
C133E-237	2 3/8	2.375	3.543	3.858	0.787	1.043	1.358	1.673	1,833	18,521	26,270	17,608	5.357	8	M8 x 25	30
C133E-243	2 7/16	2.438	3.740	4.016	0.787	1.043	1.358	1.673	2,116	20,836	28,796	18,767	5.831	9	M8 x 25	30
C133E-250	2 1/2	2.500	3.740	4.016	0.787	1.043	1.358	1.673	2,170	20,836	28,076	18,767	5.831	9	M8 x 25	30
C133E-256	2 9/16	2.563	3.740	4.016	0.787	1.043	1.358	1.673	2,225	20,836	27,392	18,767	5.831	9	M8 x 25	30
C133E-268	2 11/16	2.688	4.331	4.685	0.945	1.201	1.594	1.988	3,405	30,403	31,759	19,708	6.927	8	M10 x 30	61
C133E-275	2 3/4	2.750	4.331	4.685	0.945	1.201	1.594	1.988	3,484	30,403	31,037	19,708	6.927	8	M10 x 30	61
C133E-287	2 7/8	2.875	4.528	4.882	0.945	1.201	1.594	1.988	3,642	30,403	29,687	18,852	7.075	8	M10 x 30	61
C133E-293	2 15/16	2.938	4.528	4.882	0.945	1.201	1.594	1.988	3,721	30,403	29,056	18,852	7.075	8	M10 x 30	61
C133E-300	3	3.000	4.724	5.079	0.945	1.201	1.594	1.988	3,800	30,403	28,450	18,066	7.229	8	M10 x 30	61
C133E-325	3 1/4	3.250	4.921	5.276	0.945	1.201	1.594	1.988	4,632	34,204	29,545	19,511	7.829	9	M10 x 30	61
C133E-337	3 3/8	3.375	4.921	5.276	0.945	1.201	1.594	1.988	4,810	34,204	28,450	19,511	7.829	9	M10 x 30	61
C133E-343	3 7/16	3.438	5.118	5.472	0.945	1.201	1.594	1.988	4,899	34,204	27,933	18,761	7.978	9	M10 x 30	61
C133E-350	3 1/2	3.500	5.118	5.472	0.945	1.201	1.594	1.988	4,988	34,204	27,434	18,761	7.978	9	M10 x 30	61
C133E-375	3 3/4	3.750	5.315	5.669	0.945	1.201	1.594	1.988	5,938	38,004	28,450	20,073	8.588	10	M10 x 30	61
C133E-393	3 15/16	3.938	5.709	6.063	1.024	1.299	1.772	2.244	7,449	45,406	29,883	20,611	9.363	8	M12 x 35	107
C133E-400	4	4.000	5.709	6.063	1.024	1.299	1.772	2.244	7,568	45,406	29,416	20,611	9.363	8	M12 x 35	107
C133E-443	4 7/16	4.438	6.102	6.457	1.024	1.299	1.772	2.244	8,395	45,406	26,516	19,281	9.648	8	M12 x 35	107
C133E-475	4 3/4	4.750	6.496	6.850	1.024	1.299	1.772	2.244	10,110	51,081	27,867	20,377	10.585	9	M12 x 35	107
C133E-493	4 15/16	4.938	7.087	7.441	1.339	1.614	2.165	2.717	14,135	68,706	27,575	19,212	11.183	9	M14 x 40	170
C133E-500	5	5.000	7.087	7.441	1.339	1.614	2.165	2.717	14,314	68,706	27,230	19,212	11.183	9	M14 x 40	170
C133E-543	5 7/16	5.438	7.480	7.835	1.339	1.614	2.165	2.717	15,566	68,706	25,039	18,201	11.487	9	M14 x 40	170
C133E-593	5 15/16	5.938	7.874	8.228	1.339	1.614	2.165	2.717	18,886	76,340	25,478	19,212	12.425	10	M14 x 40	170
C133E-643	6 7/16	6.438	8.858	9.213	1.732	2.008	2.559	3.110	24,572	91,608	21,790	15,836	12.794	12	M14 x 40	170
C133E-693	6 15/16	6.938	9.252	9.606	1.732	2.008	2.559	3.110	26,480	91,608	20,220	15,162	13.137	12	M14 x 40	170
C133E-700	7	7.000	9.252	9.606	1.732	2.008	2.559	3.110	26,719	91,608	20,039	15,162	13.137	12	M14 x 40	170
C133E-743	7 7/16	7.438	9.843	10.197	1.732	2.008	2.559	3.110	35,486	114,510	23,576	17,815	14.961	15	M14 x 40	170
C133E-793	7 15/16	7.938	10.236	10.591	1.732	2.008	2.559	3.110	37,872	114,510	22,091	17,130	15.283	15	M14 x 40	170
C133E-800	8	8.000	10.236	10.591	1.732	2.008	2.559	3.110	38,170	114,510	21,918	17,130	15.283	15	M14 x 40	170

All dimensions are shown in inches unless stated otherwise. All dimensions and capacities are subject to change without notice.

* Minimum hub outside diameter based on a Pressure Reduction Factor of C=1.0 and hub material with tensile yield point ≥ 45,000 psi. For details refer to page 8.



Our Series C133 can be supplied with an integrated Spacer Ring – sold separately – for applications with very narrow drive elements, such as the A-plate sprocket shown.

SERIES C133 LOCKING ASSEMBLY

CLIMAX Series C133 connects a lever arm onto plain shafting. KLDs provide infinite radial and axial positioning capabilities for component timing, belt or chain alignment, setting gear tooth backlash, etc.

Metric

CLIMAX Part No.	Shaft Size (mm)	d	D	D ₁	L	L ₁	L ₂	L ₃	M _t (ft.-lbs)	F _{ax} (lbs.F)	P _s (psi)	P _h (psi)	D _n *	Locking Screws		
														Qty.	Size	M _a (ft.-lbs)
C133M-14X28	14	0.551	1.102	1.260	0.551	0.669	0.807	0.965	50	2,191	19,127	9,564	1.368	4	M4 x 12	3.7
C133M-15X28	15	0.591	1.102	1.260	0.551	0.669	0.807	0.965	54	2,191	17,852	9,564	1.368	4	M4 x 12	3.7
C133M-16X32	16	0.630	1.260	1.457	0.551	0.709	0.846	1.004	57	2,191	16,736	8,368	1.521	4	M4 x 12	3.7
C133M-18X47	18	0.709	1.850	2.047	0.669	0.886	1.122	1.358	185	6,265	35,037	13,418	2.517	5	M6 x 20	13
C133M-19X47	19	0.748	1.850	2.047	0.669	0.886	1.122	1.358	195	6,265	33,193	13,418	2.517	5	M6 x 20	13
C133M-20X47	20	0.787	1.850	2.047	0.669	0.886	1.122	1.358	206	6,265	31,533	13,418	2.517	5	M6 x 20	13
C133M-22X47	22	0.866	1.850	2.047	0.669	0.886	1.122	1.358	226	6,265	28,667	13,418	2.517	5	M6 x 20	13
C133M-24X50	24	0.945	1.969	2.224	0.669	0.886	1.122	1.358	296	7,518	31,533	15,136	2.793	6	M6 x 20	13
C133M-25X50	25	0.984	1.969	2.224	0.669	0.886	1.122	1.358	308	7,518	30,272	15,136	2.793	6	M6 x 20	13
C133M-28X55	28	1.102	2.165	2.421	0.669	0.886	1.122	1.358	345	7,518	27,028	13,760	2.970	6	M6 x 20	13
C133M-30X55	30	1.181	2.165	2.421	0.669	0.886	1.122	1.358	370	7,518	25,227	13,760	2.970	6	M6 x 20	13
C133M-32X60	32	1.260	2.362	2.618	0.669	0.886	1.122	1.358	526	10,024	31,533	16,818	3.499	8	M6 x 20	13
C133M-35X60	35	1.378	2.362	2.618	0.669	0.886	1.122	1.358	576	10,024	28,830	16,818	3.499	8	M6 x 20	13
C133M-38X65	38	1.496	2.559	2.815	0.669	0.886	1.122	1.358	625	10,024	26,554	15,524	3.667	8	M6 x 20	13
C133M-40X65	40	1.575	2.559	2.815	0.669	0.886	1.122	1.358	658	10,024	25,227	15,524	3.667	8	M6 x 20	13
C133M-42X75	42	1.654	2.953	3.287	0.787	1.043	1.358	1.673	1,117	16,206	33,016	18,489	4.569	7	M8 x 25	30
C133M-45X75	45	1.772	2.953	3.287	0.787	1.043	1.358	1.673	1,196	16,206	30,815	18,489	4.569	7	M8 x 25	30
C133M-48X80	48	1.890	3.150	3.484	0.787	1.043	1.358	1.673	1,276	16,206	28,889	17,333	4.728	7	M8 x 25	30
C133M-50X80	50	1.969	3.150	3.484	0.787	1.043	1.358	1.673	1,329	16,206	27,733	17,333	4.728	7	M8 x 25	30
C133M-55X85	55	2.165	3.346	3.681	0.787	1.043	1.358	1.673	1,671	18,521	28,814	18,644	5.200	8	M8 x 25	30
C133M-60X90	60	2.362	3.543	3.858	0.787	1.043	1.358	1.673	1,823	18,521	26,413	17,608	5.357	8	M8 x 25	30
C133M-65X95	65	2.559	3.740	4.016	0.787	1.043	1.358	1.673	2,222	20,836	27,429	18,767	5.831	9	M8 x 25	30
C133M-70X110	70	2.756	4.331	4.685	0.945	1.201	1.594	1.988	3,491	30,403	30,970	19,708	6.927	8	M10 x 30	61
C133M-75X115	75	2.953	4.528	4.882	0.945	1.201	1.594	1.988	3,741	30,403	28,906	18,852	7.075	8	M10 x 30	61
C133M-80X120	80	3.150	4.724	5.079	0.945	1.201	1.594	1.988	3,990	30,403	27,099	18,066	7.229	8	M10 x 30	61
C133M-85X125	85	3.346	4.921	5.276	0.945	1.201	1.594	1.988	4,769	34,204	28,693	19,511	7.829	9	M10 x 30	61
C133M-90X130	90	3.543	5.118	5.472	0.945	1.201	1.594	1.988	5,050	34,204	27,099	18,761	7.978	9	M10 x 30	61
C133M-95X135	95	3.740	5.315	5.669	0.945	1.201	1.594	1.988	5,923	38,004	28,525	20,073	8.588	10	M10 x 30	61
C133M-100X145	100	3.937	5.709	6.063	1.024	1.299	1.772	2.244	7,448	45,406	29,886	20,611	9.363	8	M12 x 35	107
C133M-110X155	110	4.331	6.102	6.457	1.024	1.299	1.772	2.244	8,193	45,406	27,169	19,281	9.648	8	M12 x 35	107
C133M-120X165	120	4.724	6.496	6.850	1.024	1.299	1.772	2.244	10,055	51,081	28,018	20,377	10.585	9	M12 x 35	107
C133M-130X180	130	5.118	7.087	7.441	1.339	1.614	2.165	2.717	14,652	68,706	26,602	19,212	11.183	9	M14 x 40	170
C133M-140X190	140	5.512	7.480	7.835	1.339	1.614	2.165	2.717	15,779	68,706	24,701	18,201	11.487	9	M14 x 40	170
C133M-150X200	150	5.906	7.874	8.228	1.339	1.614	2.165	2.717	18,784	76,340	25,616	19,212	12.425	10	M14 x 40	170
C133M-160X210	160	6.299	8.268	8.622	1.339	1.614	2.165	2.717	22,040	83,974	26,417	20,127	13.378	11	M14 x 40	170
C133M-170X225	170	6.693	8.858	9.213	1.732	2.008	2.559	3.110	25,547	91,608	20,959	15,836	12.794	12	M14 x 40	170
C133M-180X235	180	7.087	9.252	9.606	1.732	2.008	2.559	3.110	27,050	91,608	19,794	15,162	13.137	12	M14 x 40	170
C133M-190X250	190	7.480	9.843	10.197	1.732	2.008	2.559	3.110	35,690	114,510	23,441	17,815	14.961	15	M14 x 40	170
C133M-200X260	200	7.874	10.236	10.591	1.732	2.008	2.559	3.110	37,569	114,510	22,269	17,130	15.283	15	M14 x 40	170
C133M-220X285	220	8.661	11.220	11.496	1.969	2.244	2.874	3.504	45,638	126,459	19,674	15,187	15.943	12	M16 x 45	262
C133M-240X305	240	9.449	12.008	12.362	1.969	2.244	2.874	3.504	62,234	158,073	22,543	17,739	18.216	15	M16 x 45	262
C133M-260X325	260	10.236	12.795	13.150	1.969	2.244	2.874	3.504	80,904	189,688	24,971	19,977	20.618	18	M16 x 45	262
C133M-280X355	280	11.024	13.976	14.331	2.362	2.638	3.346	4.055	92,692	201,803	20,557	16,214	20.381	16	M18 x 50	358
C133M-300X375	300	11.811	14.764	15.118	2.362	2.638	3.346	4.055	111,726	227,028	21,585	17,268	22.123	18	M18 x 50	358

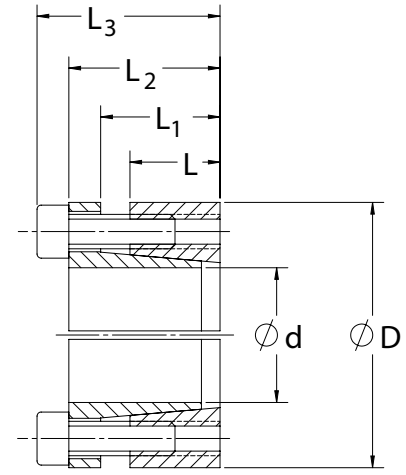
All dimensions are shown in inches unless stated otherwise. All dimensions and capacities are subject to change without notice.

* Minimum hub outside diameter based on a Pressure Reduction Factor of C=1.0 and hub material with tensile yield point ≥ 45,000 psi. For details refer to page 8.



SERIES C123 LOCKING ASSEMBLY

- Single taper design
- Flangeless design mounts flush inside component bore
- Mounted component moves axially during installation

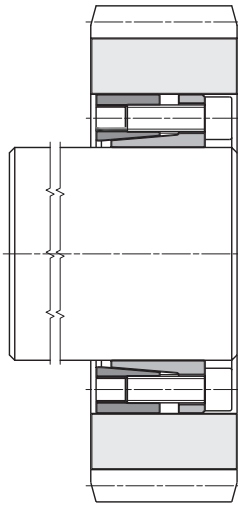


Inch

CLIMAX Part No.	Shaft Size (in)			Dimensions (in)				M_t (ft-lbs)	F_{ax} (lbs.F)	P_s (psi)	P_h (psi)	D_n^*	Locking Screws		
	Size (in)	d	D	L	L ₁	L ₂	L ₃						Qty.	Size	M_a (ft-lbs)
C123E-075	3/4	0.750	1.850	0.669	0.886	1.122	1.358	196	6,265	33,106	13,418	2.517	5	M6 x 20	10
C123E-087	7/8	0.875	1.850	0.669	0.886	1.122	1.358	228	6,265	28,376	13,418	2.517	5	M6 x 20	10
C123E-100	1	1.000	1.969	0.669	0.886	1.122	1.358	313	7,518	29,795	15,136	2.793	6	M6 x 20	10
C123E-112	1 1/8	1.125	2.165	0.669	0.886	1.122	1.358	352	7,518	26,485	13,760	2.970	6	M6 x 20	10
C123E-118	1 3/16	1.188	2.165	0.669	0.886	1.122	1.358	372	7,518	25,091	13,760	2.970	6	M6 x 20	10
C123E-125	1 1/4	1.250	2.362	0.669	0.886	1.122	1.358	522	10,024	31,781	16,818	3.499	8	M6 x 20	10
C123E-137	1 3/8	1.375	2.362	0.669	0.886	1.122	1.358	574	10,024	28,892	16,818	3.499	8	M6 x 20	10
C123E-143	1 7/16	1.438	2.559	0.669	0.886	1.122	1.358	600	10,024	27,636	15,524	3.667	8	M6 x 20	10
C123E-150	1 1/2	1.500	2.559	0.669	0.886	1.122	1.358	626	10,024	26,485	15,524	3.667	8	M6 x 20	10
C123E-162	1 5/8	1.625	2.953	0.787	1.043	1.358	1.673	1,097	16,206	33,596	18,489	4.569	7	M8 x 25	26
C123E-168	1 11/16	1.688	2.953	0.787	1.043	1.358	1.673	1,139	16,206	32,351	18,489	4.569	7	M8 x 25	26
C123E-175	1 3/4	1.750	2.953	0.787	1.043	1.358	1.673	1,182	16,206	31,196	18,489	4.569	7	M8 x 25	26
C123E-187	1 7/8	1.875	3.150	0.787	1.043	1.358	1.673	1,266	16,206	29,116	17,333	4.728	7	M8 x 25	26
C123E-193	1 15/16	1.938	3.150	0.787	1.043	1.358	1.673	1,308	16,206	28,177	17,333	4.728	7	M8 x 25	26
C123E-200	2	2.000	3.150	0.787	1.043	1.358	1.673	1,350	16,206	27,297	17,333	4.728	7	M8 x 25	26
C123E-212	2 1/8	2.125	3.346	0.787	1.043	1.358	1.673	1,640	18,521	29,361	18,644	5.200	8	M8 x 25	26
C123E-218	2 3/16	2.188	3.346	0.787	1.043	1.358	1.673	1,688	18,521	28,522	18,644	5.200	8	M8 x 25	26
C123E-225	2 1/4	2.250	3.543	0.787	1.043	1.358	1.673	1,736	18,521	27,730	17,608	5.357	8	M8 x 25	26
C123E-237	2 3/8	2.375	3.543	0.787	1.043	1.358	1.673	1,833	18,521	26,270	17,608	5.357	8	M8 x 25	26
C123E-243	2 7/16	2.438	3.740	0.787	1.043	1.358	1.673	2,116	20,836	28,796	18,767	5.831	9	M8 x 25	26
C123E-250	2 1/2	2.500	3.740	0.787	1.043	1.358	1.673	2,170	20,836	28,076	18,767	5.831	9	M8 x 25	26
C123E-256	2 9/16	2.563	3.740	0.787	1.043	1.358	1.673	2,225	20,836	27,392	18,767	5.831	9	M8 x 25	26
C123E-268	2 11/16	2.688	4.331	0.945	1.201	1.594	1.988	3,405	30,403	31,759	19,708	6.927	8	M10 x 30	51
C123E-275	2 3/4	2.750	4.331	0.945	1.201	1.594	1.988	3,484	30,403	31,037	19,708	6.927	8	M10 x 30	51
C123E-287	2 7/8	2.875	4.528	0.945	1.201	1.594	1.988	3,642	30,403	29,687	18,852	7.075	8	M10 x 30	51
C123E-293	2 15/16	2.938	4.528	0.945	1.201	1.594	1.988	3,721	30,403	29,056	18,852	7.075	8	M10 x 30	51
C123E-300	3	3.000	4.724	0.945	1.201	1.594	1.988	3,800	30,403	28,450	18,066	7.229	8	M10 x 30	51
C123E-325	3 1/4	3.250	4.921	0.945	1.201	1.594	1.988	4,632	34,204	29,545	19,511	7.829	9	M10 x 30	51
C123E-337	3 3/8	3.375	4.921	0.945	1.201	1.594	1.988	4,810	34,204	28,450	19,511	7.829	9	M10 x 30	51
C123E-343	3 7/16	3.438	5.118	0.945	1.201	1.594	1.988	4,899	34,204	27,933	18,761	7.978	9	M10 x 30	51
C123E-350	3 1/2	3.500	5.118	0.945	1.201	1.594	1.988	4,988	34,204	27,434	18,761	7.978	9	M10 x 30	51
C123E-375	3 3/4	3.750	5.315	0.945	1.201	1.594	1.988	5,938	38,004	28,450	20,073	8.588	10	M10 x 30	51
C123E-393	3 15/16	3.938	5.709	1.024	1.299	1.772	2.244	7,449	45,406	29,883	20,611	9.363	8	M12 x 35	89
C123E-400	4	4.000	5.709	1.024	1.299	1.772	2.244	7,568	45,406	29,416	20,611	9.363	8	M12 x 35	89
C123E-443	4 7/16	4.438	6.102	1.024	1.299	1.772	2.244	8,395	45,406	26,516	19,281	9.648	8	M12 x 35	89
C123E-475	4 3/4	4.750	6.496	1.024	1.299	1.772	2.244	10,110	51,081	27,867	20,377	10.585	9	M12 x 35	89
C123E-493	4 15/16	4.938	7.087	1.339	1.614	2.165	2.717	14,135	68,706	27,575	19,212	11.183	9	M14 x 40	140
C123E-500	5	5.000	7.087	1.339	1.614	2.165	2.717	14,314	68,706	27,230	19,212	11.183	9	M14 x 40	140
C123E-543	5 7/16	5.438	7.480	1.339	1.614	2.165	2.717	15,566	68,706	25,039	18,201	11.487	9	M14 x 40	140
C123E-593	5 15/16	5.938	7.874	1.339	1.614	2.165	2.717	18,886	76,340	25,478	19,212	12.425	10	M14 x 40	140
C123E-643	6 7/16	6.438	8.858	1.732	2.008	2.559	3.110	24,572	91,608	21,790	15,836	12.794	12	M14 x 40	140
C123E-693	6 15/16	6.938	9.252	1.732	2.008	2.559	3.110	26,480	91,608	20,220	15,162	13.137	12	M14 x 40	140
C123E-700	7	7.000	9.252	1.732	2.008	2.559	3.110	26,719	91,608	20,039	15,162	13.137	12	M14 x 40	140
C123E-743	7 7/16	7.438	9.843	1.732	2.008	2.559	3.110	35,486	114,510	23,576	17,815	14.961	15	M14 x 40	140
C123E-793	7 15/16	7.938	10.236	1.732	2.008	2.559	3.110	37,872	114,510	22,091	17,130	15.283	15	M14 x 40	140
C123E-800	8	8.000	10.236	1.732	2.008	2.559	3.110	38,170	114,510	21,918	17,130	15.283	15	M14 x 40	140

All dimensions are shown in inches unless stated otherwise. All dimensions and capacities are subject to change without notice.

* Minimum hub outside diameter based on a Pressure Reduction Factor of C=1.0 and hub material with tensile yield point \geq 45,000 psi. For details refer to page 8.



SERIES C123 LOCKING ASSEMBLY

CLIMAX Series C123 is shown in a typical application under a straight-sided spur gear. Note that the gear will move axially – left to right in this illustration – during installation.

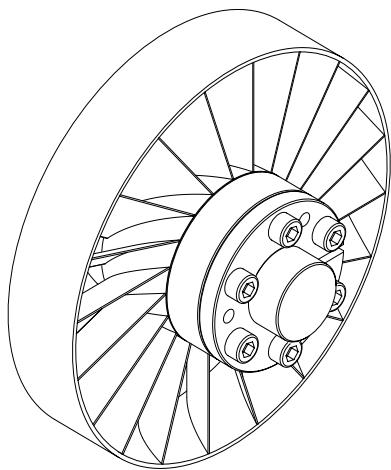


Metric

CLIMAX Part No.	Shaft Size (mm)							M _t (ft.-lbs)	F _{ax} (lbs.F)	P _s (psi)	P _h (psi)	D _n *	Locking Screws		
	d	D	L	L ₁	L ₂	L ₃	Qty.						Size	M _a (ft.-lbs)	
C123M-14X32	14	0.551	1.260	0.551	0.709	0.846	1.004	50	2,191	19,127	8,368	1.521	4	M4 x 12	3
C123M-15X32	15	0.591	1.260	0.551	0.709	0.846	1.004	54	2,191	17,852	8,368	1.521	4	M4 x 12	3
C123M-16X32	16	0.630	1.260	0.551	0.709	0.846	1.004	57	2,191	16,736	8,368	1.521	4	M4 x 12	3
C123M-18X47	18	0.709	1.850	0.669	0.886	1.122	1.358	185	6,265	35,037	13,418	2.517	5	M6 x 20	10
C123M-19X47	19	0.748	1.850	0.669	0.886	1.122	1.358	195	6,265	33,193	13,418	2.517	5	M6 x 20	10
C123M-20X47	20	0.787	1.850	0.669	0.886	1.122	1.358	206	6,265	31,533	13,418	2.517	5	M6 x 20	10
C123M-22X47	22	0.866	1.850	0.669	0.886	1.122	1.358	226	6,265	28,667	13,418	2.517	5	M6 x 20	10
C123M-24X50	24	0.945	1.969	0.669	0.886	1.122	1.358	296	7,518	31,533	15,136	2.793	6	M6 x 20	10
C123M-25X50	25	0.984	1.969	0.669	0.886	1.122	1.358	308	7,518	30,272	15,136	2.793	6	M6 x 20	10
C123M-28X55	28	1.102	2.165	0.669	0.886	1.122	1.358	345	7,518	27,028	13,760	2.970	6	M6 x 20	10
C123M-30X55	30	1.181	2.165	0.669	0.886	1.122	1.358	370	7,518	25,227	13,760	2.970	6	M6 x 20	10
C123M-32X60	32	1.260	2.362	0.669	0.886	1.122	1.358	526	10,024	31,533	16,818	3.499	8	M6 x 20	10
C123M-35X60	35	1.378	2.362	0.669	0.886	1.122	1.358	576	10,024	28,830	16,818	3.499	8	M6 x 20	10
C123M-38X65	38	1.496	2.559	0.669	0.886	1.122	1.358	625	10,024	26,554	15,524	3.667	8	M6 x 20	10
C123M-40X65	40	1.575	2.559	0.669	0.886	1.122	1.358	658	10,024	25,227	15,524	3.667	8	M6 x 20	10
C123M-42X75	42	1.654	2.953	0.787	1.043	1.358	1.673	1,117	16,206	33,016	18,489	4.569	7	M8 x 25	26
C123M-45X75	45	1.772	2.953	0.787	1.043	1.358	1.673	1,196	16,206	30,815	18,489	4.569	7	M8 x 25	26
C123M-48X80	48	1.890	3.150	0.787	1.043	1.358	1.673	1,276	16,206	28,889	17,333	4.728	7	M8 x 25	26
C123M-50X80	50	1.969	3.150	0.787	1.043	1.358	1.673	1,329	16,206	27,733	17,333	4.728	7	M8 x 25	26
C123M-55X85	55	2.165	3.346	0.787	1.043	1.358	1.673	1,671	18,521	28,814	18,644	5.200	8	M8 x 25	26
C123M-60X90	60	2.362	3.543	0.787	1.043	1.358	1.673	1,823	18,521	26,413	17,608	5.357	8	M8 x 25	26
C123M-65X95	65	2.559	3.740	0.787	1.043	1.358	1.673	2,222	20,836	27,429	18,767	5.831	9	M8 x 25	26
C123M-70X110	70	2.756	4.331	0.945	1.201	1.594	1.988	3,491	30,403	30,970	19,708	6.927	8	M10 x 30	51
C123M-75X115	75	2.953	4.528	0.945	1.201	1.594	1.988	3,741	30,403	28,906	18,852	7.075	8	M10 x 30	51
C123M-80X120	80	3.150	4.724	0.945	1.201	1.594	1.988	3,990	30,403	27,099	18,066	7.229	8	M10 x 30	51
C123M-85X125	85	3.346	4.921	0.945	1.201	1.594	1.988	4,769	34,204	28,693	19,511	7.829	9	M10 x 30	51
C123M-90X130	90	3.543	5.118	0.945	1.201	1.594	1.988	5,050	34,204	27,099	18,761	7.978	9	M10 x 30	51
C123M-95X135	95	3.740	5.315	0.945	1.201	1.594	1.988	5,923	38,004	28,525	20,073	8.588	10	M10 x 30	51
C123M-100X145	100	3.937	5.709	1.024	1.299	1.772	2.244	7,448	45,406	29,886	20,611	9.363	8	M12 x 35	89
C123M-110X155	110	4.331	6.102	1.024	1.299	1.772	2.244	8,193	45,406	27,169	19,281	9.648	8	M12 x 35	89
C123M-120X165	120	4.724	6.496	1.024	1.299	1.772	2.244	10,055	51,081	28,018	20,377	10.585	9	M12 x 35	89
C123M-130X180	130	5.118	7.087	1.339	1.614	2.165	2.717	14,652	68,706	26,602	19,212	11.183	9	M14 x 40	140
C123M-140X190	140	5.512	7.480	1.339	1.614	2.165	2.717	15,779	68,706	24,701	18,201	11.487	9	M14 x 40	140
C123M-150X200	150	5.906	7.874	1.339	1.614	2.165	2.717	18,784	76,340	25,616	19,212	12.425	10	M14 x 40	140
C123M-160X210	160	6.299	8.268	1.339	1.614	2.165	2.717	22,040	83,974	26,417	20,127	13.378	11	M14 x 40	140
C123M-170X225	170	6.693	8.858	1.732	2.008	2.559	3.110	25,547	91,608	20,959	15,836	12.794	12	M14 x 40	140
C123M-180X235	180	7.087	9.252	1.732	2.008	2.559	3.110	27,050	91,608	19,794	15,162	13.137	12	M14 x 40	140
C123M-190X250	190	7.480	9.843	1.732	2.008	2.559	3.110	35,690	114,510	23,441	17,815	14.961	15	M14 x 40	140
C123M-200X260	200	7.874	10.236	1.732	2.008	2.559	3.110	37,569	114,510	22,269	17,130	15.283	15	M14 x 40	140
C123M-220X285	220	8.661	11.220	1.969	2.244	2.874	3.504	45,638	126,459	19,674	15,187	15.943	12	M16 x 45	218
C123M-240X305	240	9.449	12.008	1.969	2.244	2.874	3.504	62,234	158,073	22,543	17,739	18.216	15	M16 x 45	218
C123M-260X325	260	10.236	12.795	1.969	2.244	2.874	3.504	80,904	189,688	24,971	19,977	20.618	18	M16 x 45	218
C123M-280X355	280	11.024	13.976	2.362	2.638	3.346	4.055	92,692	201,803	20,557	16,214	20.381	16	M18 x 50	299
C123M-300X375	300	11.811	14.764	2.362	2.638	3.346	4.055	111,726	227,028	21,585	17,268	22.123	18	M18 x 50	299

All dimensions are shown in inches unless stated otherwise. All dimensions and capacities are subject to change without notice.

* Minimum hub outside diameter based on a Pressure Reduction Factor of C=1.0 and hub material with tensile yield point ≥ 45,000 psi. For details refer to page 8.



SERIES C170 LOCKING ASSEMBLY

CLIMAX Series C170 used to mount a high-speed turbine blade. For high-speed applications, elimination of the keyway greatly improves dynamic balance characteristics.

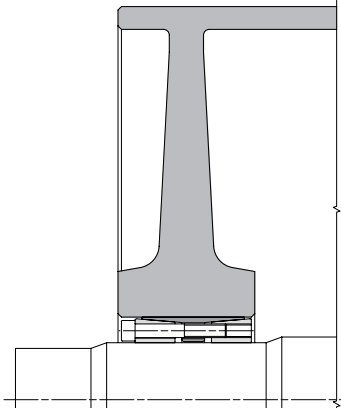


Metric

CLIMAX Part No.	Shaft Size (mm)		Dimensions (mm)								Pressures				D _n *	Locking Screws		
	d	D	D ₁	D ₂	L	L ₁	L ₂	L ₃	M _t (ft-lbs)	F _{ax} (lbs.F)	P _s (psi)	P _h (psi)	Qty.	Size		M _a (ft-lbs)		
C170M-6X14	6	0.236	0.551	0.906	0.984	0.394	0.748	0.866	1.024	16	1,643	46,861	20,083	0.891	3	M4 x 10	3.7	
C170M-7X15	7	0.276	0.591	0.945	1.063	0.472	0.866	0.984	1.142	19	1,643	33,472	15,620	0.848	3	M4 x 10	3.7	
C170M-8X15	8	0.315	0.591	0.945	1.063	0.472	0.866	0.984	1.142	22	1,643	29,288	15,620	0.848	3	M4 x 10	3.7	
C170M-9X16	9	0.354	0.630	1.024	1.142	0.551	0.945	1.063	1.220	32	2,191	29,753	16,736	0.931	4	M4 x 10	3.7	
C170M-10X16	10	0.394	0.630	1.024	1.142	0.551	0.945	1.063	1.220	36	2,191	26,778	16,736	0.931	4	M4 x 10	3.7	
C170M-11X18	11	0.433	0.709	1.102	1.260	0.551	0.945	1.083	1.240	40	2,191	24,343	14,877	0.999	4	M4 x 10	3.7	
C170M-12X18	12	0.472	0.709	1.102	1.260	0.551	0.945	1.083	1.240	43	2,191	22,315	14,877	0.999	4	M4 x 10	3.7	
C170M-13X23	13	0.512	0.906	1.299	1.496	0.551	0.945	1.083	1.240	47	2,191	20,598	11,643	1.180	4	M4 x 10	3.7	
C170M-14X23	14	0.551	0.906	1.299	1.496	0.551	0.945	1.083	1.240	50	2,191	19,127	11,643	1.180	4	M4 x 10	3.7	
C170M-15X24	15	0.591	0.945	1.575	1.732	0.630	1.161	1.437	1.673	92	3,759	26,803	16,752	1.397	3	M6 x 16	13	
C170M-16X24	16	0.630	0.945	1.575	1.732	0.630	1.161	1.437	1.673	99	3,759	25,128	16,752	1.397	3	M6 x 16	13	
C170M-17X25	17	0.669	0.984	1.614	1.772	0.709	1.280	1.555	1.791	140	5,012	28,029	19,060	1.547	4	M6 x 16	13	
C170M-18X26	18	0.709	1.024	1.654	1.850	0.709	1.280	1.555	1.791	148	5,012	26,472	18,327	1.577	4	M6 x 16	13	
C170M-19X27	19	0.748	1.063	1.693	1.929	0.709	1.280	1.555	1.791	156	5,012	25,079	17,648	1.609	4	M6 x 16	13	
C170M-20X28	20	0.787	1.102	1.732	1.969	0.709	1.280	1.555	1.791	164	5,012	23,825	17,018	1.641	4	M6 x 16	13	
C170M-22X32	22	0.866	1.260	1.890	2.126	0.984	1.575	1.850	2.087	181	5,012	15,595	10,721	1.606	4	M6 x 16	13	
C170M-24X34	24	0.945	1.339	1.969	2.205	0.984	1.575	1.850	2.087	296	7,518	21,443	15,136	1.899	6	M6 x 16	13	
C170M-25X34	25	0.984	1.339	1.969	2.205	0.984	1.575	1.850	2.087	308	7,518	20,585	15,136	1.899	6	M6 x 16	13	
C170M-28X39	28	1.102	1.535	2.165	2.402	0.984	1.575	1.850	2.087	345	7,518	18,379	13,195	2.077	6	M6 x 16	13	
C170M-30X41	30	1.181	1.614	2.244	2.441	0.984	1.575	1.850	2.087	370	7,518	17,154	12,552	2.150	6	M6 x 16	13	
C170M-32X43	32	1.260	1.693	2.323	2.559	0.984	1.575	1.850	2.087	526	10,024	21,443	15,957	2.453	8	M6 x 16	13	
C170M-35X47	35	1.378	1.850	2.441	2.677	1.260	1.850	2.126	2.362	576	10,024	15,316	11,406	2.398	8	M6 x 18	13	
C170M-38X50	38	1.496	1.969	2.598	2.835	1.260	1.850	2.126	2.362	625	10,024	14,107	10,721	2.510	8	M6 x 18	13	
C170M-40X53	40	1.575	2.087	2.717	2.953	1.260	1.850	2.126	2.362	658	10,024	13,402	10,114	2.623	8	M6 x 18	13	
C170M-42X55	42	1.654	2.165	2.795	3.071	1.260	1.850	2.126	2.362	691	10,024	12,763	9,747	2.698	8	M6 x 18	13	
C170M-45X59	45	1.772	2.323	3.150	3.386	1.772	2.441	2.756	3.071	1,367	18,521	15,652	11,938	3.048	8	M8 x 22	30	
C170M-48X62	48	1.890	2.441	3.189	3.425	1.772	2.441	2.756	3.071	1,458	18,521	14,674	11,360	3.160	8	M8 x 22	30	
C170M-50X65	50	1.969	2.559	3.386	3.622	1.772	2.441	2.756	3.071	1,519	18,521	14,087	10,836	3.272	8	M8 x 22	30	
C170M-55X71	55	2.165	2.795	3.622	3.858	2.165	2.874	3.189	3.504	1,880	20,836	11,787	9,131	3.434	9	M8 x 22	30	
C170M-60X77	60	2.362	3.031	3.858	4.094	2.165	2.874	3.189	3.504	2,051	20,836	10,805	8,420	3.663	9	M8 x 22	30	
C170M-65X84	65	2.559	3.307	4.134	4.370	2.165	2.874	3.189	3.504	2,222	20,836	9,974	7,718	3.933	9	M8 x 22	30	
C170M-70X90	70	2.756	3.543	4.449	4.685	2.559	3.386	3.780	4.173	3,928	34,204	12,865	10,006	4.442	9	M10 x 25	61	
C170M-75X95	75	2.953	3.740	4.685	4.961	2.559	3.386	3.780	4.173	4,208	34,204	12,007	9,479	4.632	9	M10 x 25	61	
C170M-80X100	80	3.150	3.937	4.921	5.157	2.559	3.386	3.780	4.173	5,985	45,605	15,009	12,007	5.175	12	M10 x 25	61	
C170M-85X106	85	3.346	4.173	5.157	5.394	2.559	3.386	3.780	4.173	6,359	45,605	14,126	11,327	5.398	12	M10 x 25	61	
C170M-90X112	90	3.543	4.409	5.394	5.669	2.559	3.386	3.780	4.173	6,733	45,605	13,341	10,720	5.622	12	M10 x 25	61	
C170M-95X120	95	3.740	4.724	5.591	5.866	2.559	3.386	3.780	4.173	8,292	53,206	14,745	11,673	6.161	14	M10 x 25	61	
C170M-100X125	100	3.937	4.921	6.024	6.299	2.756	3.701	4.213	4.685	11,173	68,108	16,651	13,321	6.677	12	M12 x 30	107	
C170M-110X140	110	4.331	5.512	6.614	6.850	2.756	3.701	4.213	4.685	12,290	68,108	15,137	11,894	7.226	12	M12 x 30	107	
C170M-120X155	120	4.724	6.102	7.362	7.795	3.543	4.528	5.039	5.512	17,876	90,811	14,390	11,140	7.858	16	M12 x 30	107	
C170M-130X165	130	5.118	6.496	7.756	8.189	3.543	4.528	5.039	5.512	19,366	90,811	13,283	10,465	8.233	16	M12 x 30	107	

All dimensions are shown in inches unless stated otherwise. All dimensions and capacities are subject to change without notice.

* Minimum hub outside diameter based on a Pressure Reduction Factor of C=1.0 and hub material with tensile yield point \geq 45,000 psi. For details refer to page 8.



SERIES C405 LOCKING ASSEMBLY

CLIMAX Series C405 transmits continuous reversing bending as well as torque in highly loaded belt conveyor head pulleys. CLIMAX and MAV together have decades of experience designing, specifying and manufacturing KLDs for the most demanding applications.



Metric

CLIMAX Part No.	Shaft Size (mm)		D	L	L ₁	L ₂	M _t (ft.-lbs)	F _{ax} (lbs.F)	P _s (psi)	P _h (psi)	D _n *	Locking Screws		
	d	D										Qty.	Size	M _a (ft.-lbs)
C405M-24X55	24	0.945	2.165	1.260	1.575	1.811	592	15,036	67,008	29,240	4.700	6	M6 x 35	13
C405M-25X55	25	0.984	2.165	1.260	1.575	1.811	617	15,036	42,885	19,493	3.443	6	M6 x 35	13
C405M-28X55	28	1.102	2.165	1.260	1.575	1.811	691	15,036	38,290	19,493	3.443	6	M6 x 35	13
C405M-30X55	30	1.181	2.165	1.260	1.575	1.811	740	15,036	35,738	19,493	3.443	6	M6 x 35	13
C405M-32X60	32	1.260	2.362	1.732	2.126	2.362	921	17,542	27,592	14,715	3.317	7	M6 x 45	13
C405M-35X60	35	1.378	2.362	1.732	2.126	2.362	1,007	17,542	25,227	14,715	3.317	7	M6 x 45	13
C405M-38X75	38	1.496	2.953	1.732	2.126	2.441	2,020	32,411	42,931	21,752	5.003	7	M8 x 45	30
C405M-40X75	40	1.575	2.953	1.732	2.126	2.441	2,127	32,411	40,784	21,752	5.003	7	M8 x 45	30
C405M-42X75	42	1.654	2.953	1.732	2.126	2.441	2,233	32,411	38,842	21,752	5.003	7	M8 x 45	30
C405M-45X75	45	1.772	2.953	1.732	2.126	2.441	2,393	32,411	36,253	21,752	5.003	7	M8 x 45	30
C405M-48X80	48	1.890	3.150	2.205	2.598	2.913	2,917	37,041	30,014	18,009	4.812	8	M8 x 55	30
C405M-50X80	50	1.969	3.150	2.205	2.598	2.913	3,038	37,041	28,814	18,009	4.812	8	M8 x 55	30
C405M-55X85	55	2.165	3.346	2.205	2.598	2.913	3,760	41,672	29,469	19,068	5.260	9	M8 x 55	30
C405M-60X90	60	2.362	3.543	2.205	2.598	2.913	4,557	46,302	30,014	20,010	5.715	10	M8 x 55	30
C405M-65X95	65	2.559	3.740	2.205	2.598	2.913	4,937	46,302	27,706	18,956	5.861	10	M8 x 55	30
C405M-70X110	70	2.756	4.331	2.756	3.150	3.543	8,728	76,008	33,182	21,116	7.205	10	M10 x 60	61
C405M-80X120	80	3.150	4.724	2.756	3.150	3.543	10,972	83,609	31,938	21,292	7.900	11	M10 x 60	61
C405M-90X130	90	3.543	5.118	2.756	3.150	3.543	13,466	91,209	30,970	21,441	8.595	12	M10 x 60	61
C405M-100X145	100	3.937	5.709	3.543	4.016	4.488	20,483	124,865	30,527	21,053	9.481	11	M12 x 80	107
C405M-110X155	110	4.331	6.102	3.543	4.016	4.488	24,580	136,217	30,274	21,485	10.261	12	M12 x 80	107
C405M-120X165	120	4.724	6.496	3.543	4.016	4.488	31,283	158,920	32,377	23,547	11.612	14	M12 x 80	107
C405M-130X180	130	5.118	7.087	4.094	4.567	5.118	39,072	183,216	28,713	20,737	11.665	12	M14 x 90	170
C405M-140X190	140	5.512	7.480	4.094	4.567	5.118	49,090	213,751	31,106	22,920	13.120	14	M14 x 90	170
C405M-150X200	150	5.906	7.874	4.094	4.567	5.118	56,353	229,019	31,106	23,329	13.982	15	M14 x 90	170
C405M-160X210	160	6.299	8.268	4.094	4.567	5.118	64,117	244,287	31,106	23,699	14.848	16	M14 x 90	170
C405M-170X225	170	6.693	8.858	5.276	5.866	6.496	82,287	295,070	27,003	20,403	14.444	14	M16 x 110	262
C405M-180X235	180	7.087	9.252	5.276	5.866	6.496	93,350	316,146	27,325	20,930	15.312	15	M16 x 110	262
C405M-190X250	190	7.480	9.843	5.276	5.866	6.496	105,106	337,223	27,613	20,986	16.315	16	M16 x 110	262
C405M-200X260	200	7.874	10.236	5.276	5.866	6.496	110,637	337,223	26,232	20,178	16.587	16	M16 x 110	262
C405M-220X285	220	8.661	11.220	5.276	5.906	6.535	136,914	379,376	26,828	20,709	18.455	18	M16 x 110	262
C405M-240X305	240	9.449	12.008	5.276	5.906	6.535	165,956	421,529	27,325	21,502	20.201	20	M16 x 110	262
C405M-260X325	260	10.236	12.795	5.276	5.906	6.535	188,775	442,605	26,484	21,187	21.332	21	M16 x 110	262
C405M-280X355	280	11.024	13.976	6.496	6.969	7.756	270,299	588,480	27,248	21,491	23.505	18	M20 x 130	509
C405M-300X375	300	11.811	14.764	6.496	6.969	7.756	321,785	653,867	28,257	22,606	25.652	20	M20 x 130	509
C405M-320X405	320	12.598	15.945	6.496	6.969	7.756	360,399	686,560	27,816	21,978	27.197	21	M20 x 130	509
C405M-340X425	340	13.386	16.732	6.496	6.969	7.756	401,159	719,254	27,426	21,941	28.509	22	M20 x 130	509
C405M-360X455	360	14.173	17.913	7.480	7.992	8.858	502,181	850,359	26,595	21,042	29.741	21	M22 x 150	686
C405M-380X475	380	14.961	18.701	7.480	7.992	8.858	555,321	890,852	26,395	21,116	31.114	22	M22 x 150	686
C405M-400X495	400	15.748	19.488	7.480	7.992	8.858	637,690	971,839	27,354	22,105	33.364	24	M22 x 150	686

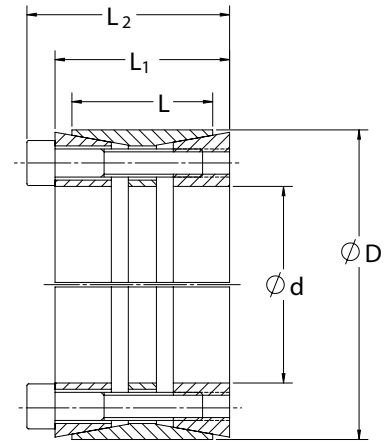
All dimensions are shown in inches unless stated otherwise. All dimensions and capacities are subject to change without notice.

* Minimum hub outside diameter based on a Pressure Reduction Factor of C=1.0 and hub material with tensile yield point ≥ 45,000 psi. For details refer to page 8.



SERIES C415 LOCKING ASSEMBLY

- Medium duty
- Wider design transmits higher torque and bending moments
- Excellent concentricity

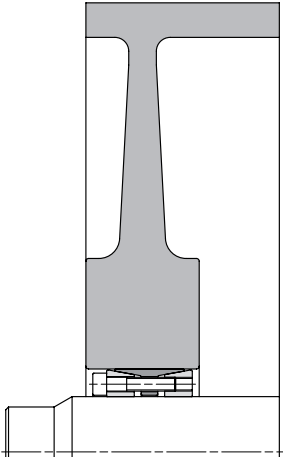


Inch

CLIMAX Part No.	Shaft Size (in)	d	D	L	L ₁	L ₂	M _t (ft-lbs)	F _{ax} (lbs.F)	P _s (psi)	P _h (psi)	D _n *	Locking Screws		
												Qty.	Size	M _a (ft-lbs)
C415E-275	2 3/4	2.750	4.331	1.969	2.441	2.835	5,363	46,804	28,668	18,204	6.651	8	M10 x 50	61
C415E-293	2 15/16	2.938	4.528	1.969	2.441	2.835	5,729	46,804	26,838	17,413	6.810	8	M10 x 50	61
C415E-343	3 7/16	3.438	5.118	1.969	2.441	2.835	9,218	64,356	31,535	21,180	8.531	11	M10 x 50	61
C415E-350	3 1/2	3.500	5.118	1.969	2.441	2.835	9,385	64,356	30,971	21,180	8.531	11	M10 x 50	61
C415E-393	3 15/16	3.938	5.709	2.362	2.835	3.307	14,335	87,374	31,148	21,484	9.599	10	M12 x 60	107
C415E-443	4 7/16	4.438	6.496	2.362	2.835	3.307	17,771	96,112	30,402	20,768	10.702	11	M12 x 60	107
C415E-450	4 1/2	4.500	6.496	2.362	2.835	3.307	18,021	96,112	29,980	20,768	10.702	11	M12 x 60	107
C415E-493	4 15/16	4.938	7.087	2.559	3.189	3.661	25,166	122,324	30,911	21,537	11.934	14	M12 x 70	107
C415E-500	5	5.000	7.087	2.559	3.189	3.661	25,484	122,324	30,525	21,537	11.934	14	M12 x 70	107
C415E-543	5 7/16	5.438	7.480	2.559	3.228	3.701	29,694	131,062	30,074	21,861	12.715	15	M12 x 70	107
C415E-593	5 15/16	5.938	7.874	2.559	3.228	3.701	32,424	131,062	27,541	20,768	12.972	15	M12 x 70	107
C415E-600	6	6.000	8.268	2.559	3.228	3.701	34,950	139,799	29,071	21,097	13.748	16	M12 x 70	107
C415E-643	6 7/16	6.438	8.858	3.071	3.661	4.213	47,284	176,282	28,828	20,950	14.669	15	M14 x 80	170
C415E-693	6 15/16	6.938	9.252	3.071	3.661	4.213	50,956	176,282	26,750	20,058	14.943	15	M14 x 80	170
C415E-793	7 15/16	7.938	10.236	3.465	4.134	4.685	76,816	232,264	25,941	20,116	16.558	18	M14 x 80	170
C415E-800	8	8.000	10.236	3.465	4.134	4.685	77,421	232,264	25,738	20,116	16.558	18	M14 x 80	170

All dimensions are shown in inches unless stated otherwise. All dimensions and capacities are subject to change without notice.

* Minimum hub outside diameter based on a Pressure Reduction Factor of C=1.0 and hub material with tensile yield point ≥ 45,000 psi. For details refer to page 8.



SERIES C415 LOCKING ASSEMBLY

CLIMAX Series C415 has become the industry standard to mount conveyor drum pulleys.



Metric

CLIMAX Part No.	Shaft Size (mm)	d	D	L	L ₁	L ₂	M _t (ft-lbs)	F _{ax} (lbs.F)	P _s (psi)	P _h (psi)	D _n *	Locking Screws		
												Qty.	Size	M _a (ft-lbs)
C415M-70X110	70	2.756	4.331	1.969	2.441	2.835	5,374	46,804	28,606	18,204	6.651	8	M10 x 50	61
C415M-80X120	80	3.150	4.724	1.969	2.441	2.835	7,678	58,505	31,288	20,859	7.803	10	M10 x 50	61
C415M-90X130	90	3.543	5.118	1.969	2.441	2.835	9,501	64,356	30,593	21,180	8.531	11	M10 x 50	61
C415M-100X145	100	3.937	5.709	2.362	2.835	3.307	14,333	87,374	31,152	21,484	9.599	10	M12 x 60	107
C415M-110X155	110	4.331	6.102	2.362	2.835	3.307	15,766	87,374	28,320	20,098	9.866	10	M12 x 60	107
C415M-120X165	120	4.724	6.496	2.362	2.835	3.307	18,920	96,112	28,556	20,768	10.702	11	M12 x 60	107
C415M-130X180	130	5.118	7.087	2.559	3.189	3.661	26,086	122,324	29,820	21,537	11.934	14	M12 x 70	107
C415M-140X190	140	5.512	7.480	2.559	3.228	3.701	30,099	131,062	29,668	21,861	12.715	15	M12 x 70	107
C415M-150X200	150	5.906	7.874	2.559	3.228	3.701	32,249	131,062	27,690	20,768	12.972	15	M12 x 70	107
C415M-160X210	160	6.299	8.268	2.559	3.228	3.701	36,693	139,799	27,690	21,097	13.748	16	M12 x 70	107
C415M-170X225	170	6.693	8.858	3.071	3.661	4.213	49,160	176,282	27,728	20,950	14.669	15	M14 x 80	170
C415M-180X235	180	7.087	9.252	3.071	3.661	4.213	52,052	176,282	26,187	20,058	14.943	15	M14 x 80	170
C415M-190X250	190	7.480	9.843	3.465	4.134	4.685	58,606	188,034	22,285	16,936	14.622	16	M14 x 80	170
C415M-200X260	200	7.874	10.236	3.465	4.134	4.685	76,202	232,264	26,150	20,116	16.558	18	M14 x 80	170
C415M-220X285	220	8.661	11.220	3.780	4.370	5.000	87,821	243,345	23,085	17,820	17.058	15	M16 x 90	262
C415M-240X305	240	9.449	12.008	3.780	4.370	5.000	127,740	324,460	28,215	22,202	20.616	20	M16 x 90	262
C415M-260X325	260	10.236	12.795	3.780	4.370	5.000	145,305	340,683	27,346	21,877	21.760	21	M16 x 90	262
C415M-280X355	280	11.024	13.976	3.780	4.331	5.118	173,380	377,473	31,177	24,590	25.808	15	M20 x 90	509
C415M-300X375	300	11.811	14.764	3.780	4.370	5.157	185,764	377,473	29,098	23,279	26.176	15	M20 x 90	509
C415M-320X405	320	12.598	15.945	4.882	5.354	6.142	264,198	503,297	28,038	22,153	27.336	20	M20 x 110	509
C415M-340X425	340	13.386	16.732	4.882	5.354	6.142	280,710	503,297	26,388	21,111	27.835	20	M20 x 110	509
C415M-360X455	360	14.173	17.913	5.512	6.299	7.165	368,134	623,373	24,695	19,539	28.520	20	M22 x 130	686
C415M-380X475	380	14.961	18.701	5.512	6.299	7.165	388,585	623,373	23,395	18,716	29.116	20	M22 x 130	686
C415M-400X495	400	15.748	19.488	5.512	6.299	7.165	449,941	685,710	24,448	19,756	31.212	22	M22 x 130	686

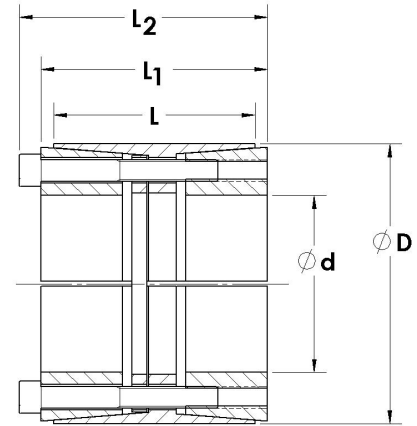
All dimensions are shown in inches unless stated otherwise. All dimensions and capacities are subject to change without notice.

* Minimum hub outside diameter based on a Pressure Reduction Factor of C=1.0 and hub material with tensile yield point ≥ 45,000 psi. For details refer to page 8.



SERIES C425 LOCKING ASSEMBLY

- Extra heavy duty
- Self-centering, self-locking design
- Widest design transmits highest bending moments



Metric

CLIMAX Part No.	Shaft Size (mm)	d	D	L	L ₁	L ₂	M _t (ft-lbs)	F _{ax} (lbs.F)	P _s (psi)	P _h (psi)	D _n *	Locking Screws		
												Qty.	Size	M _a (ft-lbs)
C425M- 180 x 285	180	7.087	11.220	8.071	9.094	9.961	167,265	566,471	32,489	20,451	18.321	14	M22 x 180	686
C425M- 200 x 305	200	7.874	12.008	8.071	9.173	10.039	212,400	647,395	33,359	21,901	20.436	16	M22 x 180	686
C425M- 220 x 325	220	8.661	12.795	8.071	9.016	9.882	233,566	647,191	30,748	20,741	21.063	16	M22 x 180	686
C425M- 240 x 355	240	9.449	13.976	8.189	9.449	10.394	299,720	761,289	31,909	21,611	23.586	16	M24 x 180	885
C425M- 260 x 375	260	10.236	14.764	8.189	9.449	10.394	365,284	856,450	33,214	23,061	26.004	18	M24 x 180	885
C425M- 280 x 405	280	11.024	15.945	8.189	9.370	10.315	437,116	951,665	34,665	23,932	28.841	20	M24 x 180	885
C425M- 300 x 425	300	11.811	16.732	8.189	9.449	10.394	468,386	951,761	31,909	22,481	28.965	20	M24 x 180	885
C425M- 320 x 455	320	12.598	17.913	9.843	11.024	12.087	595,310	1,134,066	30,748	21,611	30.230	18	M27 x 220	1,328
C425M- 340 x 475	340	13.386	18.701	9.843	11.220	12.283	702,838	1,260,146	31,764	22,771	32.653	20	M27 x 220	1,328
C425M- 360 x 495	360	14.173	19.488	9.843	11.142	12.205	818,625	1,386,205	32,924	23,932	35.250	22	M27 x 220	1,328
C425M- 380 x 515	380	14.961	20.276	9.843	11.024	12.087	864,350	1,386,599	31,619	23,351	36.027	22	M27 x 220	1,328
C425M- 400 x 535	400	15.748	21.063	9.843	11.024	12.087	909,338	1,385,830	29,588	22,191	36.151	22	M27 x 220	1,328
C425M- 420 x 555	420	16.535	21.850	9.843	11.220	12.283	1,042,088	1,512,516	30,748	23,351	38.826	24	M27 x 220	1,328
C425M- 440 x 575	440	17.323	22.638	9.843	11.220	12.283	1,091,500	1,512,224	29,443	22,481	39.188	24	M27 x 220	1,328
C425M- 460 x 595	460	18.110	23.425	9.843	11.220	12.283	1,140,913	1,511,957	28,138	21,756	39.698	24	M27 x 220	1,328
C425M- 480 x 615	480	18.898	24.213	9.843	11.220	12.283	1,388,713	1,763,665	31,474	24,512	44.598	28	M27 x 220	1,328
C425M- 500 x 635	500	19.685	25.000	9.843	11.024	12.087	1,446,975	1,764,152	30,603	24,077	45.424	28	M27 x 220	1,328
C425M- 520 x 655	520	20.472	25.787	9.843	11.220	12.283	1,504,500	1,763,737	29,008	23,061	45.421	28	M27 x 220	1,328
C425M- 540 x 675	540	21.260	26.575	9.843	11.024	12.087	1,674,125	1,889,901	30,458	24,367	48.726	30	M27 x 220	1,328
C425M- 560 x 695	560	22.047	27.362	9.843	11.024	12.087	1,736,075	1,889,842	29,298	23,642	49.052	30	M27 x 220	1,328

All dimensions are shown in inches unless stated otherwise. All dimensions and capacities are subject to change without notice.

* Minimum hub outside diameter based on a Pressure Reduction Factor of C=1.0 and hub material with tensile yield point ≥ 45,000 psi.