

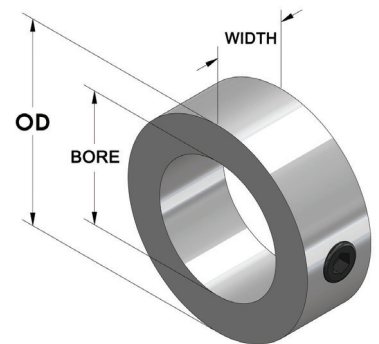
PART NUMBER				PRODUCT SPECIFICATIONS			
ZINC PLATED STEEL	UNPLATED STEEL	BLACK OXIDE STEEL	STAINLESS STEEL	BORE SIZE	OD	WIDTH	SET SCREW
GSC-012-Z	GSC-012-DT	GSC-012-B	GSC-012-SS	1/8	3/8	1/4	6-32
GSC-018-Z	GSC-018-DT	GSC-018-B	GSC-018-SS	3/16	7/16	1/4	8-32
GSC-025-Z	GSC-025-DT	GSC-025-B	GSC-025-SS	1/4	1/2	9/32	10-32
GSC-031-Z	GSC-031-DT	GSC-031-B	GSC-031-SS	5/16	5/8	5/16	10-32
GSC-037-Z	GSC-037-DT	GSC-037-B	GSC-037-SS	3/8	3/4	3/8	1/4-20
GSC-043-Z	GSC-043-DT	GSC-043-B	GSC-043-SS	7/16	7/8	7/16	1/4-20
GSC-050-Z	GSC-050-DT	GSC-050-B	GSC-050-SS	1/2	1	7/16	1/4-20
GSC-056-Z	GSC-056-DT	GSC-056-B	GSC-056-SS	9/16	1	7/16	1/4-20
GSC-062-Z	GSC-062-DT	GSC-062-B	GSC-062-SS	5/8	1 1/8	1/2	5/16-18
GSC-068-Z	GSC-068-DT	GSC-068-B	GSC-068-SS	11/16	1 1/4	9/16	5/16-18
GSC-075-Z	GSC-075-DT	GSC-075-B	GSC-075-SS	3/4	1 1/4	9/16	5/16-18
GSC-081-Z	GSC-081-DT	GSC-081-B	GSC-081-SS	13/16	1 1/2	9/16	5/16-18
GSC-087-Z	GSC-087-DT	GSC-087-B	GSC-087-SS	7/8	1 1/2	9/16	5/16-18
GSC-093-Z	GSC-093-DT	GSC-093-B	GSC-093-SS	15/16	1 5/8	9/16	5/16-18
GSC-100-Z	GSC-100-DT	GSC-100-B	GSC-100-SS	1	1 5/8	5/8	5/16-18
GSC-106-Z	GSC-106-DT	GSC-106-B	GSC-106-SS	1 1/16	1 3/4	5/8	5/16-18
GSC-112-Z	GSC-112-DT	GSC-112-B	GSC-112-SS	1 1/8	1 3/4	5/8	5/16-18
GSC-118-Z	GSC-118-DT	GSC-118-B	GSC-118-SS	1 3/16	2	11/16	3/8-16
GSC-125-Z	GSC-125-DT	GSC-125-B	GSC-125-SS	1 1/4	2	11/16	3/8-16
GSC-131-Z	GSC-131-DT	GSC-131-B	GSC-131-SS	1 5/16	2 1/8	11/16	3/8-16
GSC-137-Z	GSC-137-DT	GSC-137-B	GSC-137-SS	1 3/8	2 1/8	3/4	3/8-16
GSC-143-Z	GSC-143-DT	GSC-143-B	GSC-143-SS	1 7/16	2 1/4	3/4	3/8-16
GSC-150-Z	GSC-150-DT	GSC-150-B	GSC-150-SS	1 1/2	2 1/4	3/4	3/8-16
GSC-156-Z	GSC-156-DT	GSC-156-B	GSC-156-SS	1 9/16	2 1/2	13/16	3/8-16
GSC-162-Z	GSC-162-DT	GSC-162-B	GSC-162-SS	1 5/8	2 1/2	13/16	3/8-16
GSC-168-Z	GSC-168-DT	GSC-168-B	GSC-168-SS	1 11/16	2 1/2	13/16	3/8-16
GSC-175-Z	GSC-175-DT	GSC-175-B	GSC-175-SS	1 3/4	2 3/4	7/8	1/2-13
GSC-181-Z	GSC-181-DT	GSC-181-B	GSC-181-SS	1 13/16	2 3/4	7/8	1/2-13
GSC-187-Z	GSC-187-DT	GSC-187-B	GSC-187-SS	1 7/8	2 3/4	7/8	1/2-13
GSC-193-Z	GSC-193-DT	GSC-193-B	GSC-193-SS	1 15/16	3	7/8	1/2-13
GSC-200-Z	GSC-200-DT	GSC-200-B	GSC-200-SS	2	3	7/8	1/2-13
GSC-206-Z	GSC-206-DT	GSC-206-B	GSC-206-SS	2 1/16	3	7/8	1/2-13
GSC-212-Z	GSC-212-DT	GSC-212-B	GSC-212-SS	2 1/8	3	7/8	1/2-13
GSC-218-Z	GSC-218-DT	GSC-218-B	GSC-218-SS	2 3/16	3 1/4	15/16	1/2-13
GSC-225-Z	GSC-225-DT	GSC-225-B	GSC-225-SS	2 1/4	3 1/4	15/16	1/2-13
GSC-231-Z	GSC-231-DT	GSC-231-B	GSC-231-SS	2 5/16	3 1/4	15/16	1/2-13
GSC-237-Z	GSC-237-DT	GSC-237-B	GSC-237-SS	2 3/8	3 1/4	15/16	1/2-13
GSC-243-Z	GSC-243-DT	GSC-243-B	GSC-243-SS	2 7/16	3 1/2	1	1/2-13
GSC-250-Z	GSC-250-DT	GSC-250-B	GSC-250-SS	2 1/2	3 1/2	1	1/2-13
GSC-256-Z	GSC-256-DT	GSC-256-B	GSC-256-SS	2 9/16	3 3/4	1	1/2-13
GSC-262-Z	GSC-262-DT	GSC-262-B	GSC-262-SS	2 5/8	3 3/4	1 1/8	1/2-13
GSC-268-Z	GSC-268-DT	GSC-268-B	GSC-268-SS	2 11/16	4	1 1/8	1/2-13
GSC-275-Z	GSC-275-DT	GSC-275-B	GSC-275-SS	2 3/4	4	1 1/8	1/2-13
GSC-281-Z	GSC-281-DT	GSC-281-B	GSC-281-SS	2 11/16	4	1 1/8	1/2-13
GSC-287-Z	GSC-287-DT	GSC-287-B	GSC-287-SS	2 7/8	4 1/4	1 1/8	1/2-13
GSC-293-Z	GSC-293-DT	GSC-293-B	GSC-293-SS	2 15/16	4 1/4	1 1/8	1/2-13
GSC-300-Z	GSC-300-DT	GSC-300-B	GSC-300-SS	3	4 1/4	1 1/8	1/2-13
GSC-318-Z				3 3/16	4 1/4	1 1/8	1/2-13
GSC-325-Z				3 1/4	4 1/4	1 1/8	1/2-13
GSC-343-Z	GSC-343-DT	GSC-343-B		3 7/16	4 1/2	1 1/8	1/2-13
GSC-350-Z				3 1/2	4 3/4	1 1/8	1/2-13
GSC-393-Z	GSC-393-DT	GSC-393-B		3 15/16	5	1 1/8	1/2-13
GSC-400-Z				4	5	1 1/8	1/2-13
GSC-425-Z				4 1/4	5 1/2	1 1/8	1/2-13
GSC-443-Z				4 7/16	5 1/2	1 1/8	1/2-13
GSC-450-Z				4 1/2	5 1/2	1 1/4	1/2-13
GSC-493-Z				4 15/16	6	1 1/4	1/2-13
GSC-500-Z				5	6	1 1/4	1/2-13
GSC-543-Z				5 7/16	6 1/2	1 1/4	1/2-13
GSC-593-Z				5 15/16	7	1 1/4	1/2-13



GSC-SERIES

Traditional cost effective collar design

Other sizes and materials available



ONE-PIECE CLAMPING COLLARS

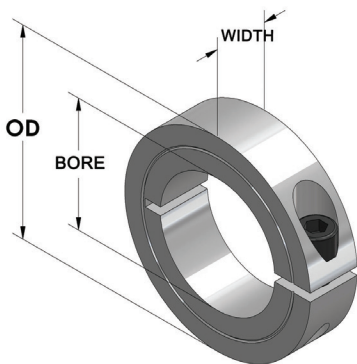


G1SC-SERIES

Clamping design fully engages the shaft without marring or other shaft damage

Effective on hard and soft shafts

Other sizes and materials available



PART NUMBER			PRODUCT SPECIFICATIONS			
BLACK OXIDE STEEL	STAINLESS STEEL	ALUMINUM	BORE SIZE	OD	WIDTH	CLAMP SCREW
G1SC-012-B	G1SC-012-SS	G1SC-012-A	1/8	1/2	1/4	4-40
G1SC-018-B	G1SC-018-SS	G1SC-018-A	3/16	5/8	5/16	4-40
G1SC-025-B	G1SC-025-SS	G1SC-025-A	1/4	11/16	5/16	4-40
G1SC-031-B	G1SC-031-SS	G1SC-031-A	5/16	11/16	5/16	4-40
G1SC-037-B	G1SC-037-SS	G1SC-037-A	3/8	7/8	11/32	6-32
G1SC-043-B	G1SC-043-SS	G1SC-043-A	7/16	15/16	3/8	6-32
G1SC-050-B	G1SC-050-SS	G1SC-050-A	1/2	1 1/8	13/32	8-32
G1SC-056-B	G1SC-056-SS	G1SC-056-A	9/16	1 1/4	7/16	10-32
G1SC-062-B	G1SC-062-SS	G1SC-062-A	5/8	1 5/16	7/16	10-32
G1SC-068-B	G1SC-068-SS	G1SC-068-A	11/16	1 3/8	7/16	10-32
G1SC-075-B	G1SC-075-SS	G1SC-075-A	3/4	1 1/2	1/2	1/4-28
G1SC-081-B	G1SC-081-SS		13/16	1 5/8	1/2	1/4-28
G1SC-087-B	G1SC-087-SS	G1SC-087-A	7/8	1 5/8	1/2	1/4-28
G1SC-093-B	G1SC-093-SS		15/16	1 3/4	1/2	1/4-28
G1SC-100-B	G1SC-100-SS	G1SC-100-A	1	1 3/4	1/2	1/4-28
G1SC-106-B	G1SC-106-SS		1 1/16	1 7/8	1/2	1/4-28
G1SC-112-B	G1SC-112-SS	G1SC-112-A	1 1/8	1 7/8	1/2	1/4-28
G1SC-118-B	G1SC-118-SS		1 3/16	2 1/16	1/2	1/4-28
G1SC-125-B	G1SC-125-SS	G1SC-125-A	1 1/4	2 1/16	1/2	1/4-28
G1SC-131-B	G1SC-131-SS		1 5/16	2 1/8	9/16	1/4-28
G1SC-137-B	G1SC-137-SS		1 3/8	2 1/4	9/16	1/4-28
G1SC-143-B	G1SC-143-SS		1 7/16	2 1/4	9/16	1/4-28
G1SC-150-B	G1SC-150-SS	G1SC-150-A	1 1/2	2 3/8	9/16	1/4-28
G1SC-156-B	G1SC-156-SS		1 9/16	2 3/8	9/16	1/4-28
G1SC-162-B	G1SC-162-SS		1 5/8	2 5/8	11/16	5/16-24
G1SC-168-B	G1SC-168-SS		1 11/16	2 3/4	11/16	5/16-24
G1SC-175-B	G1SC-175-SS	G1SC-175-A	1 3/4	2 3/4	11/16	5/16-24
G1SC-181-B	G1SC-181-SS		1 13/16	2 7/8	11/16	5/16-24
G1SC-187-B	G1SC-187-SS	G1SC-187-A	1 7/8	2 7/8	11/16	5/16-24
G1SC-193-B	G1SC-193-SS	G1SC-193-A	1 15/16	3	11/16	5/16-24
G1SC-200-B	G1SC-200-SS	G1SC-200-A	2	3	11/16	5/16-24
G1SC-206-B			2 1/16	3 1/4	3/4	5/16-24
G1SC-212-B	G1SC-212-SS		2 1/8	3 1/4	3/4	5/16-24
G1SC-218-B	G1SC-218-SS		2 3/16	3 1/4	3/4	5/16-24
G1SC-225-B	G1SC-225-SS		2 1/4	3 1/4	3/4	5/16-24
G1SC-231-B			2 5/16	3 1/2	3/4	5/16-24
G1SC-237-B	G1SC-237-SS		2 3/8	3 1/2	3/4	5/16-24
G1SC-243-B	G1SC-243-SS		2 7/16	3 1/2	3/4	5/16-24
G1SC-250-B	G1SC-250-SS	G1SC-250-A	2 1/2	3 3/4	7/8	3/8-24
G1SC-256-B			2 9/16	3 7/8	7/8	3/8-24
G1SC-262-B	G1SC-262-SS		2 5/8	3 7/8	7/8	3/8-24
G1SC-268-B			2 11/16	4	7/8	3/8-24
G1SC-275-B	G1SC-275-SS		2 3/4	4	7/8	3/8-24
G1SC-281-B			2 13/16	4 1/4	7/8	3/8-24
G1SC-287-B	G1SC-287-SS		2 7/8	4 1/4	7/8	3/8-24
G1SC-293-B	G1SC-293-SS		2 15/16	4 1/4	7/8	3/8-24
G1SC-300-B	G1SC-300-SS		3	4 1/4	7/8	3/8-24
G1SC-318-B			3 3/16	4 1/2	7/8	3/8-24
G1SC-325-B			3 1/4	4 1/2	7/8	3/8-24
G1SC-343-B			3 7/16	4 3/4	7/8	3/8-24
G1SC-350-B			3 1/2	4 3/4	7/8	3/8-24
G1SC-393-B			3 15/16	5 1/4	7/8	3/8-24
G1SC-400-B			4	5 1/4	7/8	3/8-24

TWO-PIECE CLAMPING COLLARS

PART NUMBER				PRODUCT SPECIFICATIONS			
BLACK OXIDE STEEL	STAINLESS STEEL	ALUMINUM	ZINC	BORE SIZE	OD	WIDTH	CLAMP SCREW
G2SC-012-B	G2SC-012-SS			1/8	1/2	1/4	4-40
G2SC-018-B	G2SC-018-SS			3/16	5/8	5/16	4-40
G2SC-025-B	G2SC-025-SS	G2SC-025-A		1/4	11/16	5/16	4-40
G2SC-031-B	G2SC-031-SS	G2SC-031-A		5/16	11/16	5/16	4-40
G2SC-037-B	G2SC-037-SS	G2SC-037-A		3/8	7/8	11/32	6-32
G2SC-043-B	G2SC-043-SS			7/16	15/16	3/8	6-32
G2SC-050-B	G2SC-050-SS	G2SC-050-A		1/2	1 1/8	13/32	8-32
G2SC-056-B	G2SC-056-SS			9/16	1 1/4	7/16	10-32
G2SC-062-B	G2SC-062-SS	G2SC-062-A		5/8	1 5/16	7/16	10-32
G2SC-068-B	G2SC-068-SS			11/16	1 31/80	7/16	10-32
G2SC-075-B	G2SC-075-SS	G2SC-075-A	G2SC-075-Z	3/4	1 1/2	1/2	1/4-28
G2SC-081-B	G2SC-081-SS			13/16	1 5/8	1/2	1/4-28
G2SC-087-B	G2SC-087-SS	G2SC-087-A		7/8	1 5/8	1/2	1/4-28
G2SC-093-B	G2SC-093-SS			15/16	1 3/4	1/2	1/4-28
G2SC-100-B	G2SC-100-SS	G2SC-100-A	G2SC-100-Z	1	1 3/4	1/2	1/4-28
G2SC-106-B	G2SC-106-SS			1 1/16	1 7/8	1/2	1/4-28
G2SC-112-B	G2SC-112-SS	G2SC-112-A		1 1/8	1 7/8	1/2	1/4-28
G2SC-118-B	G2SC-118-SS			1 3/16	2 1/16	1/2	1/4-28
G2SC-125-B	G2SC-125-SS	G2SC-125-A	G2SC-125-Z	1 1/4	2 1/16	1/2	1/4-28
G2SC-131-B	G2SC-131-SS			1 5/16	2 1/8	9/16	1/4-28
G2SC-137-B	G2SC-137-SS			1 3/8	2 1/4	9/16	1/4-28
G2SC-143-B	G2SC-143-SS			1 7/16	2 1/4	9/16	1/4-28
G2SC-150-B	G2SC-150-SS	G2SC-150-A	G2SC-150-Z	1 1/2	2 3/8	9/16	1/4-28
G2SC-156-B	G2SC-156-SS			1 9/16	2 3/8	9/16	1/4-28
G2SC-162-B	G2SC-162-SS			1 5/8	2 5/8	11/16	5/16-24
G2SC-168-B	G2SC-168-SS			1 11/16	2 3/4	11/16	5/16-24
G2SC-175-B	G2SC-175-SS	G2SC-175-A		1 3/4	2 3/4	11/16	5/16-24
G2SC-181-B	G2SC-181-SS			1 13/16	2 7/8	11/16	5/16-24
G2SC-187-B	G2SC-187-SS	G2SC-187-A		1 7/8	2 7/8	11/16	5/16-24
G2SC-193-B	G2SC-193-SS	G2SC-193-A		1 15/16	3	11/16	5/16-24
G2SC-200-B	G2SC-200-SS	G2SC-200-A		2	3	11/16	5/16-24
G2SC-206-B				2 1/16	3 1/4	3/4	5/16-24
G2SC-212-B	G2SC-212-SS			2 1/8	3 1/4	3/4	5/16-24
G2SC-218-B	G2SC-218-SS			2 3/16	3 1/4	3/4	5/16-24
G2SC-225-B	G2SC-225-SS			2 1/4	3 1/4	3/4	5/16-24
G2SC-231-B				2 5/16	3 1/2	3/4	5/16-24
G2SC-237-B	G2SC-237-SS			2 3/8	3 1/2	3/4	5/16-24
G2SC-243-B	G2SC-243-SS			2 7/16	3 1/2	3/4	5/16-24
G2SC-250-B	G2SC-250-SS	G2SC-250-A		2 1/2	3 3/4	7/8	3/8-24
G2SC-256-B				2 9/16	3 7/8	7/8	3/8-24
G2SC-262-B	G2SC-262-SS			2 5/8	3 7/8	7/8	3/8-24
G2SC-268-B				2 11/16	4	7/8	3/8-24
G2SC-275-B	G2SC-275-SS			2 3/4	4	7/8	3/8-24
G2SC-281-B				2 13/16	4 1/4	7/8	3/8-24
G2SC-287-B	G2SC-287-SS			2 7/8	4 1/4	7/8	3/8-24
G2SC-293-B	G2SC-293-SS			2 15/16	4 1/4	7/8	3/8-24
G2SC-300-B	G2SC-300-SS	G2SC-300-A		3	4 1/4	7/8	3/8-24
G2SC-318-B				3 3/16	4 1/2	7/8	3/8-24
G2SC-325-B				3 1/4	4 1/2	7/8	3/8-24
G2SC-337-B				3 3/8	4 3/4	7/8	3/8-24
G2SC-343-B	G2SC-343-SS			3 7/16	4 3/4	7/8	3/8-24
G2SC-350-B	G2SC-350-SS			3 1/2	4 3/4	7/8	3/8-24
G2SC-393-B				3 15/16	5 1/4	7/8	3/8-24
G2SC-400-B	G2SC-400-SS			4	5 1/4	7/8	3/8-24
G2SC-425-B				4 1/4	5 1/2	7/8	3/8-24
G2SC-443-B				4 7/16	5 3/4	7/8	3/8-24
G2SC-450-B	G2SC-450-SS			4 1/2	5 3/4	7/8	3/8-24
G2SC-493-B				4 15/16	6 1/4	7/8	3/8-24
G2SC-500-B				5	6 1/4	7/8	3/8-24
G2SC-550-B				5 1/2	6 3/4	7/8	3/8-24
G2SC-593-B				5 15/16	7 1/4	7/8	3/8-24
G2SC-600-B				6	7 1/4	7/8	3/8-24



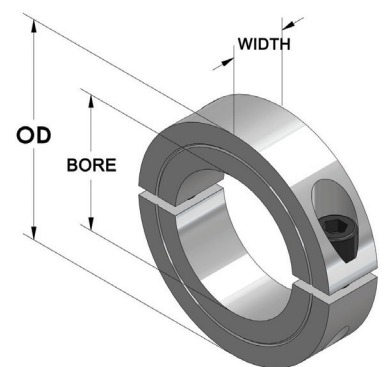
G2SC-SERIES

Clamping design fully engages the shaft without marring or other shaft damage

Effective on hard and soft shafts

Two-piece collars may be easily installed without major disassembly

Other sizes and materials available



ONE-PIECE SAFETY CLAMPING COLLARS



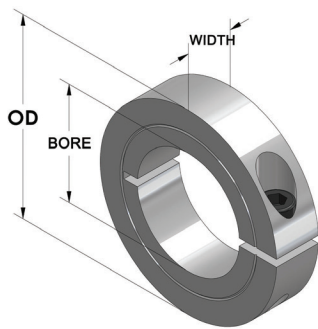
GH1C-SERIES

Clamping design fully engages the shaft without marring or other shaft damage

Effective on hard and soft shafts

Recessed screw head provides an outside surface free of major projections

Other sizes and materials available



PART NUMBER		PRODUCT SPECIFICATIONS			
BLACK OXIDE STEEL	STAINLESS STEEL	BORE SIZE	OD	WIDTH	CLAMP SCREW
GH1C-012-B	GH1C-012-SS	1/8	13/16	1/4	4-40
GH1C-018-B	GH1C-018-SS	3/16	13/16	1/4	4-40
GH1C-025-B	GH1C-025-SS	1/4	13/16	1/4	4-40
GH1C-031-B	GH1C-031-SS	5/16	13/16	1/4	4-40
GH1C-037-B	GH1C-037-SS	3/8	1 1/16	5/16	6-32
GH1C-043-B	GH1C-043-SS	7/16	1 1/16	5/16	6-32
GH1C-050-B	GH1C-050-SS	1/2	1 1/4	3/8	8-32
GH1C-056-B	GH1C-056-SS	9/16	1 1/4	3/8	8-32
GH1C-062-B	GH1C-062-SS	5/8	1 1/2	13/32	10-32
GH1C-068-B	GH1C-068-SS	11/16	1 1/2	13/32	10-32
GH1C-075-B	GH1C-075-SS	3/4	1 3/4	1/2	1/4-28
GH1C-081-B	GH1C-081-SS	13/16	1 3/4	1/2	1/4-28
GH1C-087-B	GH1C-087-SS	7/8	1 7/8	1/2	1/4-28
GH1C-093-B	GH1C-093-SS	15/16	1 7/8	1/2	1/4-28
GH1C-100-B	GH1C-100-SS	1	2	1/2	1/4-28
GH1C-106-B	GH1C-106-SS	1 1/16	2	1/2	1/4-28
GH1C-112-B	GH1C-112-SS	1 1/8	2 1/8	1/2	1/4-28
GH1C-118-B	GH1C-118-SS	1 3/16	2 1/8	1/2	1/4-28
GH1C-125-B	GH1C-125-SS	1 1/4	2 1/4	1/2	1/4-28
GH1C-131-B	GH1C-131-SS	1 5/16	2 1/4	1/2	1/4-28
GH1C-137-B	GH1C-137-SS	1 3/8	2 3/8	1/2	1/4-28
GH1C-143-B	GH1C-143-SS	1 7/16	2 3/8	1/2	1/4-28
GH1C-150-B	GH1C-150-SS	1 1/2	2 1/2	1/2	1/4-28
GH1C-156-B	GH1C-156-SS	1 9/16	2 1/2	1/2	1/4-28
GH1C-162-B	GH1C-162-SS	1 5/8	3	5/8	5/16-24
GH1C-168-B	GH1C-168-SS	1 11/16	3	5/8	5/16-24
GH1C-175-B	GH1C-175-SS	1 3/4	3	5/8	5/16-24
GH1C-187-B	GH1C-187-SS	1 7/8	3 1/4	5/8	5/16-24
GH1C-193-B	GH1C-193-SS	1 15/16	3 1/4	5/8	5/16-24
GH1C-200-B	GH1C-200-SS	2	3 1/4	5/8	5/16-24
GH1C-212-B	GH1C-212-SS	2 1/8	3 1/2	5/8	5/16-24
GH1C-218-B	GH1C-218-SS	2 3/16	3 1/2	5/8	5/16-24
GH1C-225-B	GH1C-225-SS	2 1/4	3 1/2	5/8	5/16-24
GH1C-237-B	GH1C-237-SS	2 3/8	3 1/2	5/8	5/16-24
GH1C-243-B	GH1C-243-SS	2 7/16	4	3/4	3/8-24
GH1C-250-B	GH1C-250-SS	2 1/2	4	3/4	3/8-24
GH1C-262-B	GH1C-262-SS	2 5/8	4 1/4	3/4	3/8-24
GH1C-275-B	GH1C-275-SS	2 3/4	4 1/4	3/4	3/8-24
GH1C-287-B	GH1C-287-SS	2 7/8	4 1/2	3/4	3/8-24
GH1C-293-B	GH1C-293-SS	2 15/16	4 1/2	3/4	3/8-24
GH1C-300-B	GH1C-300-SS	3	4 1/2	3/4	3/8-24

TWO-PIECE SAFETY CLAMPING COLLARS

PART NUMBER		PRODUCT SPECIFICATIONS			
BLACK OXIDE STEEL	STAINLESS STEEL	BORE SIZE	OD	WIDTH	CLAMP SCREW
GH2C-012-B	GH2C-012-SS	1/8	13/16	1/4	4-40
GH2C-018-B	GH2C-018-SS	3/16	13/16	1/4	4-40
GH2C-025-B	GH2C-025-SS	1/4	13/16	1/4	4-40
GH2C-031-B	GH2C-031-SS	5/16	13/16	1/4	4-40
GH2C-037-B	GH2C-037-SS	3/8	1 1/16	5/16	6-32
GH2C-043-B	GH2C-043-SS	7/16	1 1/16	5/16	6-32
GH2C-050-B	GH2C-050-SS	1/2	1 1/4	3/8	8-32
GH2C-056-B	GH2C-056-SS	9/16	1 1/4	3/8	8-32
GH2C-062-B	GH2C-062-SS	5/8	1 1/2	13/32	10-32
GH2C-068-B	GH2C-068-SS	11/16	1 1/2	13/32	10-32
GH2C-075-B	GH2C-075-SS	3/4	1 3/4	1/2	1/4-28
GH2C-081-B	GH2C-081-SS	13/16	1 3/4	1/2	1/4-28
GH2C-087-B	GH2C-087-SS	7/8	1 7/8	1/2	1/4-28
GH2C-093-B	GH2C-093-SS	15/16	1 7/8	1/2	1/4-28
GH2C-100-B	GH2C-100-SS	1	2	1/2	1/4-28
GH2C-106-B	GH2C-106-SS	1 1/16	2	1/2	1/4-28
GH2C-112-B	GH2C-112-SS	1 1/8	2 1/8	1/2	1/4-28
GH2C-118-B	GH2C-118-SS	1 3/16	2 1/8	1/2	1/4-28
GH2C-125-B	GH2C-125-SS	1 1/4	2 1/4	1/2	1/4-28
GH2C-131-B	GH2C-131-SS	1 5/16	2 1/4	1/2	1/4-28
GH2C-137-B	GH2C-137-SS	1 3/8	2 3/8	1/2	1/4-28
GH2C-143-B	GH2C-143-SS	1 7/16	2 3/8	1/2	1/4-28
GH2C-150-B	GH2C-150-SS	1 1/2	2 1/2	1/2	1/4-28
GH2C-156-B	GH2C-156-SS	1 9/16	2 1/2	1/2	1/4-28
GH2C-162-B	GH2C-162-SS	1 5/8	3	5/8	5/16-24
GH2C-168-B	GH2C-168-SS	1 11/16	3	5/8	5/16-24
GH2C-175-B	GH2C-175-SS	1 3/4	3	5/8	5/16-24
GH2C-187-B	GH2C-187-SS	1 7/8	3 1/4	5/8	5/16-24
GH2C-193-B	GH2C-193-SS	1 15/16	3 1/4	5/8	5/16-24
GH2C-200-B	GH2C-200-SS	2	3 1/4	5/8	5/16-24
GH2C-212-B	GH2C-212-SS	2 1/8	3 1/2	5/8	5/16-24
GH2C-218-B	GH2C-218-SS	2 3/16	3 1/2	5/8	5/16-24
GH2C-225-B	GH2C-225-SS	2 1/4	3 1/2	5/8	5/16-24
GH2C-237-B	GH2C-237-SS	2 3/8	3 1/2	5/8	5/16-24
GH2C-243-B	GH2C-243-SS	2 7/16	4	3/4	3/8-24
GH2C-250-B	GH2C-250-SS	2 1/2	4	3/4	3/8-24
GH2C-262-B	GH2C-262-SS	2 5/8	4 1/4	3/4	3/8-24
GH2C-268-B	GH2C-268-SS	2 11/16	4 1/4	3/4	3/8-24
GH2C-275-B	GH2C-275-SS	2 3/4	4 1/4	3/4	3/8-24
GH2C-287-B	GH2C-287-SS	2 7/8	4 1/2	3/4	3/8-24
GH2C-293-B	GH2C-293-SS	2 15/16	4 1/2	3/4	3/8-24
GH2C-300-B	GH2C-300-SS	3	4 1/2	3/4	3/8-24



GH2C-SERIES

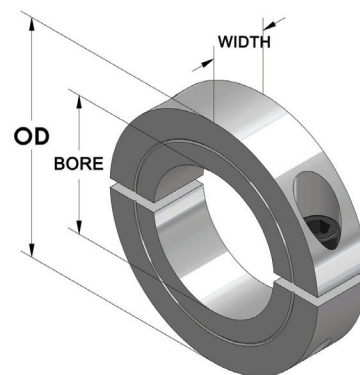
Clamping design fully engages the shaft without marring or other shaft damage

Effective on hard and soft shafts

Recessed screw head provides an outside surface free of major projections

Two-piece collars may be easily installed where major disassembly would otherwise be required

Other sizes and materials available



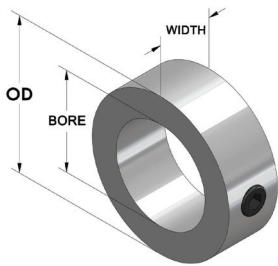
METRIC SET SCREW COLLARS



GMC-SERIES

Traditional cost effective collar design

Other sizes and materials available



PART NUMBER		PRODUCT SPECIFICATIONS			
BLACK OXIDE STEEL	STAINLESS STEEL	BORE SIZE	OD	WIDTH	SET SCREW
GMC-03-B	GMC-03-SS	3	7	5	M2
GMC-04-B	GMC-04-SS	4	8	5	M2
GMC-05-B	GMC-05-SS	5	10	6	M3
GMC-06-B	GMC-06-SS	6	12	8	M4
GMC-08-B	GMC-08-SS	8	16	8	M4
GMC-09-B	GMC-09-SS	9	20	10	M5
GMC-10-B	GMC-10-SS	10	20	10	M5
GMC-12-B	GMC-12-SS	12	22	12	M6
GMC-13-B	GMC-13-SS	13	22	13	M6
GMC-14-B	GMC-14-SS	14	25	12	M6
GMC-15-B	GMC-15-SS	15	25	12	M6
GMC-16-B	GMC-16-SS	16	28	12	M6
GMC-18-B	GMC-18-SS	18	32	14	M6
GMC-20-B	GMC-20-SS	20	32	14	M6
GMC-22-B	GMC-22-SS	22	36	14	M6
GMC-24-B	GMC-24-SS	24	40	14	M8
GMC-25-B	GMC-25-SS	25	40	16	M8
GMC-28-B	GMC-28-SS	28	45	16	M8
GMC-30-B	GMC-30-SS	30	45	16	M8
GMC-32-B	GMC-32-SS	32	50	16	M8
GMC-34-B	GMC-34-SS	34	50	16	M8
GMC-35-B	GMC-35-SS	35	56	16	M8
GMC-36-B	GMC-36-SS	36	56	16	M8
GMC-38-B	GMC-38-SS	38	56	16	M8
GMC-40-B	GMC-40-SS	40	63	18	M10
GMC-45-B	GMC-45-SS	45	70	18	M10
GMC-50-B	GMC-50-SS	50	80	18	M10

METRIC CLAMPING COLLARS



GM1C & GM2C-SERIES

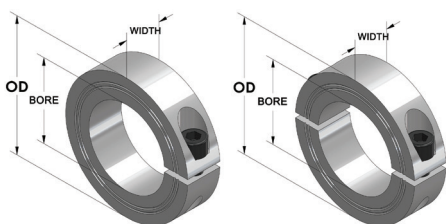
Clamping design fully engages the shaft without marring or other shaft damage

Effective on hard and soft shafts

Other sizes and materials available

1-PIECE

2-PIECE



PART NUMBER				PRODUCT SPECIFICATIONS			
BLACK OXIDE STEEL (1-PIECE)	BLACK OXIDE STEEL (2-PIECE)	STAINLESS STEEL (1-PIECE)	STAINLESS STEEL (2-PIECE)	BORE SIZE	OD	WIDTH	CLAMP SCREW
GM1C-03-B	GM2C-03-B	GM1C-03-SS	GM2C-03-SS	3	16	9	M3
GM1C-04-B	GM2C-04-B	GM1C-04-SS	GM2C-04-SS	4	16	9	M3
GM1C-05-B	GM2C-05-B	GM1C-05-SS	GM2C-05-SS	5	16	9	M3
GM1C-06-B	GM2C-06-B	GM1C-06-SS	GM2C-06-SS	6	16	9	M3
GM1C-08-B	GM2C-08-B	GM1C-08-SS	GM2C-08-SS	8	18	9	M3
GM1C-09-B	GM2C-09-B	GM1C-09-SS	GM2C-09-SS	9	24	9	M3
GM1C-10-B	GM2C-10-B	GM1C-10-SS	GM2C-10-SS	10	24	9	M3
GM1C-12-B	GM2C-12-B	GM1C-12-SS	GM2C-12-SS	12	28	11	M4
GM1C-13-B	GM2C-13-B	GM1C-13-SS	GM2C-13-SS	13	30	11	M4
GM1C-14-B	GM2C-14-B	GM1C-14-SS	GM2C-14-SS	14	30	11	M4
GM1C-15-B	GM2C-15-B	GM1C-15-SS	GM2C-15-SS	15	34	13	M5
GM1C-16-B	GM2C-16-B	GM1C-16-SS	GM2C-16-SS	16	34	13	M5
GM1C-17-B	GM2C-17-B	GM1C-17-SS	GM2C-17-SS	17	36	13	M5
GM1C-18-B	GM2C-18-B	GM1C-18-SS	GM2C-18-SS	18	36	13	M5
GM1C-20-B	GM2C-20-B	GM1C-20-SS	GM2C-20-SS	20	40	15	M6
GM1C-25-B	GM2C-25-B	GM1C-25-SS	GM2C-25-SS	25	45	15	M6
GM1C-30-B	GM2C-30-B	GM1C-30-SS	GM2C-30-SS	30	54	15	M6
GM1C-35-B	GM2C-35-B	GM1C-35-SS	GM2C-35-SS	35	57	15	M6
GM1C-40-B	GM2C-40-B	GM1C-40-SS	GM2C-40-SS	40	60	15	M6
GM1C-45-B	GM2C-45-B	GM1C-45-SS	GM2C-45-SS	45	73	19	M8
GM1C-50-B	GM2C-50-B	GM1C-50-SS	GM2C-50-SS	50	78	19	M8
GM1C-55-B	GM2C-55-B	GM1C-55-SS	GM2C-55-SS	55	82	19	M8
GM1C-60-B	GM2C-60-B	GM1C-60-SS	GM2C-60-SS	60	88	19	M8
GM1C-65-B	GM2C-65-B	GM1C-65-SS	GM2C-65-SS	65	93	19	M8
GM1C-70-B	GM2C-70-B	GM1C-70-SS	GM2C-70-SS	70	98	19	M8
GM1C-75-B	GM2C-75-B	GM1C-75-SS	GM2C-75-SS	75	103	19	M8
GM1C-80-B	GM2C-80-B	GM1C-80-SS	GM2C-80-SS	80	108	19	M8

THREADED CLAMPING COLLARS

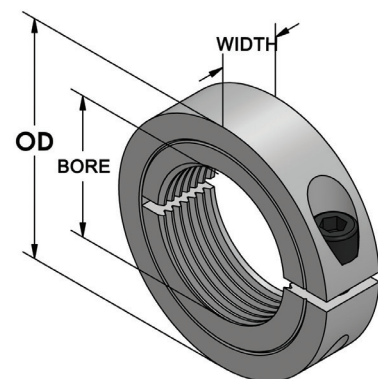
PART NUMBER		PRODUCT SPECIFICATIONS			
BLACK OXIDE STEEL	STAINLESS STEEL	BORE SIZE	OD	WIDTH	CLAMP SCREW
GSTC-010-32-B	GSTC-010-32-SS	10-32	11/16	5/16	4-40
GSTC-025-20-B	GSTC-025-20-SS	1/4-20	11/16	5/16	4-40
GSTC-025-28-B	GSTC-025-28-SS	1/4-28	11/16	5/16	4-40
GSTC-031-18-B	GSTC-031-18-SS	5/16-18	11/16	5/16	4-40
GSTC-031-24-B	GSTC-031-24-SS	5/16-24	11/16	5/16	4-40
GSTC-037-16-B	GSTC-037-16-SS	3/8-16	7/8	3/8	6-32
GSTC-037-24-B	GSTC-037-24-SS	3/8-24	7/8	3/8	6-32
GSTC-043-14-B	GSTC-043-14-SS	7/16-14	15/16	11/32	6-32
GSTC-043-20-B	GSTC-043-20-SS	7/16-20	15/16	11/32	6-32
GSTC-050-13-B	GSTC-050-13-SS	1/2-13	1 1/8	13/32	8-32
GSTC-050-20-B	GSTC-050-20-SS	1/2-20	1 1/8	13/32	8-32
GSTC-062-11-B	GSTC-062-11-SS	5/8-11	1 5/16	7/16	10-32
GSTC-062-18-B	GSTC-062-18-SS	5/8-18	1 5/16	7/16	10-32
GSTC-075-10-B	GSTC-075-10-SS	3/4-10	1 1/2	1/2	1/4-28
GSTC-075-16-B	GSTC-075-16-SS	3/4-16	1 1/2	1/2	1/4-28
GSTC-087-09-B	GSTC-087-09-SS	7/8-9	1 5/8	1/2	1/4-28
GSTC-087-14-B	GSTC-087-14-SS	7/8-14	1 5/8	1/2	1/4-28
GSTC-100-08-B	GSTC-100-08-SS	1-8	1 3/4	1/2	1/4-28
GSTC-100-12-B	GSTC-100-12-SS	1-12	1 3/4	1/2	1/4-28
GSTC-100-14-B	GSTC-100-14-SS	1-14	1 3/4	1/2	1/4-28
GSTC-112-07-B	GSTC-112-07-SS	1 1/8-7	1 7/8	1/2	1/4-28
GSTC-112-12-B	GSTC-112-12-SS	1 1/8-12	1 7/8	1/2	1/4-28
GSTC-125-07-B	GSTC-125-07-SS	1 1/4-7	2 1/16	1/2	1/4-28
GSTC-125-12-B	GSTC-125-12-SS	1 1/4-12	2 1/16	1/2	1/4-28
GSTC-137-06-B	GSTC-137-06-SS	1 3/8-6	2 1/4	9/16	1/4-28
GSTC-137-12-B	GSTC-137-12-SS	1 3/8-12	2 1/4	9/16	1/4-28
GSTC-150-06-B	GSTC-150-06-SS	1 1/2-6	2 3/8	9/16	1/4-28
GSTC-150-12-B	GSTC-150-12-SS	1 1/2-12	2 3/8	9/16	1/4-28
GSTC-175-16-B	GSTC-175-16-SS	1 3/4-16	2 3/4	11/16	5/16-24
GSTC-200-12-B	GSTC-200-12-SS	2-12	3	11/16	5/16-24



GSTC-SERIES

Design fully engages the thread for secure locking

Other sizes and materials available



COLLAR KITS

SET SCREW COLLAR KIT #105



The Set Screw Collar Kit is packaged in a durable plastic box and contains five each of the following sizes:
1/4", 3/8", 1/2", 5/8", 3/4", 7/8" and 1" Hex keys in sizes: 1/8", 3/32" and 5/32" are included.

TWO-PIECE CLAMPING COLLAR KIT #110



The Two-Piece Clamping Collar Kit is packaged in a durable plastic box and contains five each of the following sizes:
1/4", 3/8", 1/2", 5/8", 3/4", 7/8" and 1" Hex keys in sizes: 3/32", 7/64", 9/64", 5/32" and 3/16" are included.

DRILL STOP COLLAR KITS

Takes the guess work out of drilling. Packaged in poly-bags & includes Hex keys.



DRILLKIT-GSC7

7 piece kit contains set screw collars to fit drill sizes:
1/8", 3/16", 1/4", 5/16", 3/8", 7/16" & 1/2"

DRILLKIT-GSC4

4 piece kit contains set screw collars to fit drill sizes:
5/8", 3/4", 7/8", & 1"

DRILLKIT-G1SC7

7 piece kit contains clamping collars to fit drill sizes:
1/8", 3/16", 1/4", 5/16", 3/8", 7/16" & 1/2"