

PART NUMBER	PRODUCT SPECIFICATIONS				
BLACK OXIDE STEEL	BORE SIZE	2ND BORE SIZE	OD	LENGTH	SET SCREW
GRC-025	1/4	1/4	1/2	3/4	10-32
GRC-031	5/16	5/16	5/8	1	10-32
GRC-037	3/8	3/8	3/4	1	1/4-28
GRC-050	1/2	1/2	1	1 1/2	1/4-28
GRC-062	5/8	5/8	1 1/4	2	5/16-18
GRC-075	3/4	3/4	1 1/2	2	5/16-18
GRC-087	7/8	7/8	1 3/4	2	5/16-18
GRC-100	1	1	2	3	3/8-16
GRC-112	1 1/8	1 1/8	2 1/8	3	3/8-16
GRC-125	1 1/4	1 1/4	2 1/4	4	3/8-16
GRC-137	1 3/8	1 3/8	2 3/8	4 1/2	3/8-16
GRC-150	1 1/2	1 1/2	2 1/2	4 1/2	3/8-16

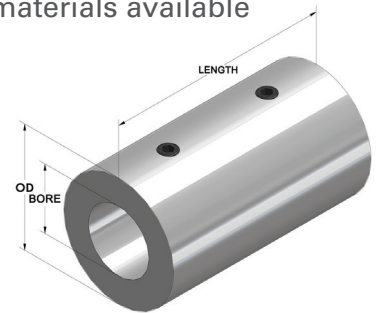


GRC-SERIES

Traditional cost effective rigid coupling design

Provides torque transmission and alignment

Other sizes and materials available



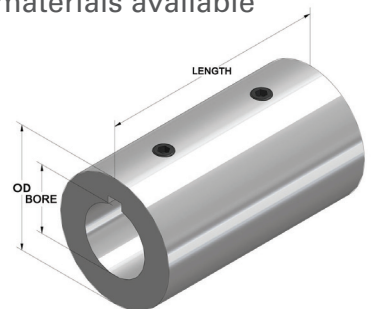
PART NUMBER	PRODUCT SPECIFICATIONS						
BLACK OXIDE STEEL	BORE SIZE	2ND BORE SIZE	OD	LENGTH	SET SCREW	KEYWAY SIZE	2ND KEYWAY SIZE
GRC-050-KW	1/2	1/2	1	1 1/2	1/4-28	1/8	1/8
GRC-062-KW	5/8	5/8	1 1/4	2	5/16-18	3/16	3/16
GRC-075-KW	3/4	3/4	1 1/2	2	5/16-18	3/16	3/16
GRC-087-KW	7/8	7/8	1 3/4	2	5/16-18	3/16	3/16
GRC-100-KW	1	1	2	3	3/8-16	1/4	1/4
GRC-112-KW	1 1/8	1 1/8	2 1/8	3	3/8-16	1/4	1/4
GRC-125-KW	1 1/4	1 1/4	2 1/4	4	3/8-16	1/4	1/4
GRC-137-KW	1 3/8	1 3/8	2 3/8	4 1/2	3/8-16	5/16	5/16
GRC-150-KW	1 1/2	1 1/2	2 1/2	4 1/2	3/8-16	3/8	3/8

GRC-KW-SERIES

Traditional cost effective rigid coupling design

Provides torque transmission and alignment

Other sizes and materials available



CLAMPING COUPLINGS



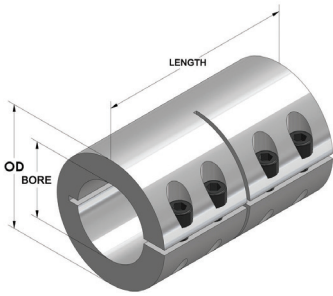
GSCC-SERIES

ONE-PIECE

High axial load and torque capacity

Does not mar the shaft

Other sizes and materials available



PART NUMBER		PRODUCT SPECIFICATIONS				
BLACK OXIDE STEEL	STAINLESS STEEL	BORE SIZE	2ND BORE SIZE	OD	LENGTH	CLAMP SCREW
GSCC-025-025	GSCC-025-025-S	1/4	1/4	11/16	1	4-40
GSCC-037-025	GSCC-037-025-S	3/8	1/4	7/8	1 3/8	6-32
GSCC-037-037	GSCC-037-037-S	3/8	3/8	7/8	1 3/8	6-32
GSCC-050-037	GSCC-050-037-S	1/2	3/8	1 1/8	1 3/4	8-32
GSCC-050-050	GSCC-050-050-S	1/2	1/2	1 1/8	1 3/4	8-32
GSCC-062-050	GSCC-062-050-S	5/8	1/2	1 5/16	2	10-32
GSCC-062-062	GSCC-062-062-S	5/8	5/8	1 5/16	2	10-32
GSCC-075-050	GSCC-075-050-S	3/4	1/2	1 1/2	2 1/4	1/4-28
GSCC-075-062	GSCC-075-062-S	3/4	5/8	1 1/2	2 1/4	1/4-28
GSCC-075-075	GSCC-075-075-S	3/4	3/4	1 1/2	2 1/4	1/4-28
GSCC-087-062	GSCC-087-062-S	7/8	5/8	1 5/8	2 1/2	1/4-28
GSCC-087-087	GSCC-087-087-S	7/8	7/8	1 5/8	2 1/2	1/4-28
GSCC-100-050	GSCC-100-050-S	1	1/2	1 3/4	3	1/4-28
GSCC-100-075	GSCC-100-075-S	1	3/4	1 3/4	3	1/4-28
GSCC-100-100	GSCC-100-100-S	1	1	1 3/4	3	1/4-28
GSCC-112-100	GSCC-112-100-S	1 1/8	1	1 7/8	3 1/8	1/4-28
GSCC-112-112	GSCC-112-112-S	1 1/8	1 1/8	1 7/8	3 1/8	1/4-28
GSCC-125-100	GSCC-125-100-S	1 1/4	1	2 1/8	3 1/4	1/4-28
GSCC-125-125	GSCC-125-125-S	1 1/4	1 1/4	2 1/16	3 1/4	1/4-28
GSCC-137-100	GSCC-137-100-S	1 3/8	1	2 1/2	3 5/8	1/4-28
GSCC-137-137	GSCC-137-137-S	1 3/8	1 3/8	2 1/2	3 5/8	1/4-28
GSCC-150-100	GSCC-150-100-S	1 1/2	1	2 5/8	3 7/8	5/16-24
GSCC-150-150	GSCC-150-150-S	1 1/2	1 1/2	2 5/8	3 7/8	5/16-24
GSCC-175-175		1 3/4	1 3/4	3 1/8	4 1/2	5/16-24
GSCC-200-200	GSCC-200-200-S	2	2	3 3/8	4 7/8	3/8-24

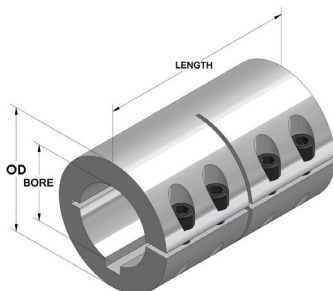
GSCC-KW-SERIES

ONE-PIECE WITH KEYWAY

High axial load and torque capacity

Does not mar the shaft

Other sizes and materials available



PART NUMBER		PRODUCT SPECIFICATIONS						
BLACK OXIDE STEEL	STAINLESS STEEL	BORE SIZE	2ND BORE SIZE	OD	LENGTH	CLAMP SCREW	KEYWAY SIZE	2ND KEYWAY SIZE
GSCC-037-037-KW	GSCC-037-037SKW	3/8	3/8	7/8	1 3/8	6-32	3/32	3/32
GSCC-050-050-KW	GSCC-050-050SKW	1/2	1/2	1 1/8	1 3/4	8-32	1/8	1/8
GSCC-062-062-KW	GSCC-062-062SKW	5/8	5/8	1 5/16	2	10-32	3/16	3/16
GSCC-075-075-KW	GSCC-075-075SKW	3/4	3/4	1 1/2	2 1/4	1/4-28	3/16	3/16
GSCC-087-087-KW	GSCC-087-087SKW	7/8	7/8	1 5/8	2 1/2	1/4-28	3/16	3/16
GSCC-100-100-KW	GSCC-100-100SKW	1	1	1 3/4	3	1/4-28	1/4	1/4
GSCC-112-112-KW	GSCC-112-112SKW	1 1/8	1 1/8	1 7/8	3 1/8	1/4-28	1/4	1/4
GSCC-125-125-KW	GSCC-125-125SKW	1 1/4	1 1/4	2 1/16	3 1/4	1/4-28	1/4	1/4
GSCC-137-137-KW		1 3/8	1 3/8	2 1/2	3 5/8	1/4-28	5/16	5/16
GSCC-150-150-KW	GSCC-150-150SKW	1 1/2	1 1/2	2 5/8	3 7/8	1/4-28	3/8	3/8
GSCC-175-175-KW		1 3/4	1 3/4	3 1/8	4 1/2	3/8-24	3/8	3/8
GSCC-200-200-KW	GSCC-200-200SKW	2	2	3 3/8	4 7/8	3/8-24	1/2	1/2

PART NUMBER		PRODUCT SPECIFICATIONS				
BLACK OXIDE STEEL	STAINLESS STEEL	BORE SIZE	2ND BORE SIZE	OD	LENGTH	CLAMP SCREW
G2SCC-025-025	G2SCC-025-025-S	1/4	1/4	11/16	1	4-40
G2SCC-037-025	G2SCC-037-025-S	3/8	1/4	7/8	1 3/8	6-32
G2SCC-037-037	G2SCC-037-037-S	3/8	3/8	7/8	1 3/8	6-32
G2SCC-050-037	G2SCC-050-037-S	1/2	3/8	1 1/8	1 3/4	8-32
G2SCC-050-050	G2SCC-050-050-S	1/2	1/2	1 1/8	1 3/4	8-32
G2SCC-062-050	G2SCC-062-050-S	5/8	1/2	1 5/16	2	10-32
G2SCC-062-062	G2SCC-062-062-S	5/8	5/8	1 5/16	2	10-32
G2SCC-075-050	G2SCC-075-050-S	3/4	1/2	1 1/2	2 1/4	1/4-28
G2SCC-075-062	G2SCC-075-062-S	3/4	5/8	1 1/2	2 1/4	1/4-28
G2SCC-075-075	G2SCC-075-075-S	3/4	3/4	1 1/2	2 1/4	1/4-28
G2SCC-087-062	G2SCC-087-062-S	7/8	5/8	1 5/8	2 1/4	1/4-28
G2SCC-087-087	G2SCC-087-087-S	7/8	7/8	1 5/8	2 1/4	1/4-28
G2SCC-100-050	G2SCC-100-050-S	1	1/2	1 3/4	3	1/4-28
G2SCC-100-075	G2SCC-100-075-S	1	3/4	1 3/4	3	1/4-28
G2SCC-100-100	G2SCC-100-100-S	1	1	1 3/4	3	1/4-28
G2SCC-112-100	G2SCC-112-100-S	1 1/8	1	1 7/8	3 1/8	1/4-28
G2SCC-112-112	G2SCC-112-112-S	1 1/8	1 1/8	1 7/8	3 1/8	1/4-28
G2SCC-125-100	G2SCC-125-100-S	1 1/4	1	2 1/16	3 1/4	1/4-28
G2SCC-125-125	G2SCC-125-125-S	1 1/4	1 1/4	2 1/16	3 1/4	1/4-28
G2SCC-137-100	G2SCC-137-100-S	1 3/8	1	2 1/2	3 5/8	1/4-28
G2SCC-137-137	G2SCC-137-137-S	1 3/8	1 3/8	2 1/2	3 5/8	5/16-24
G2SCC-150-100	G2SCC-150-100-S	1 1/2	1	2 5/8	3 7/8	5/16-24
G2SCC-150-150	G2SCC-150-150-S	1 1/2	1 1/2	2 5/8	3 7/8	5/16-24
G2SCC-175-175		1 3/4	1 3/4	3 1/8	4 1/2	3/8-24
G2SCC-200-200	G2SCC-200-200-S	2	2	3 3/8	4 7/8	3/8-24



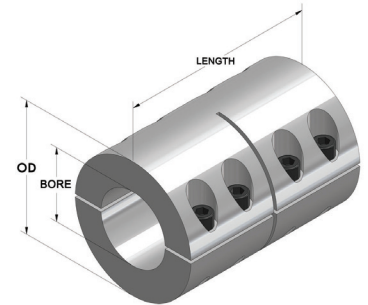
G2SCC-SERIES

TWO-PIECE

High axial load and torque capacity

Does not mar the shaft

Other sizes and materials available



PART NUMBER		PRODUCT SPECIFICATIONS						
BLACK OXIDE STEEL	STAINLESS STEEL	BORE SIZE	2ND BORE SIZE	OD	LENGTH	CLAMP SCREW	KEYWAY SIZE	2ND KEYWAY SIZE
G2SCC-037-037KW		3/8	3/8	7/8	1 3/8	6-32	3/32	3/32
G2SCC-050-050KW	G2SCC050-050SKW	1/2	1/2	1 1/8	1 3/4	8-32	1/8	1/8
G2SCC-062-050KW	G2SCC062-050SKW	5/8	1/2	1 5/16	2	10-32	3/16	1/8
G2SCC-062-062KW	G2SCC062-062SKW	5/8	5/8	1 5/16	2	10-32	3/16	3/16
G2SCC-075-050KW	G2SCC075-050SKW	3/4	1/2	1 1/2	2 1/4	1/4-28	3/16	1/8
G2SCC-075-062KW	G2SCC075-062SKW	3/4	5/8	1 1/2	2 1/4	1/4-28	3/16	3/16
G2SCC-075-075KW	G2SCC075-075SKW	3/4	3/4	1 1/2	2 1/4	1/4-28	3/16	3/16
G2SCC-087-062KW	G2SCC087-062SKW	7/8	5/8	1 5/8	2 1/2	1/4-28	3/16	3/16
G2SCC-087-087KW	G2SCC087-087SKW	7/8	7/8	1 5/8	2 1/2	1/4-28	3/16	3/16
G2SCC-100-050KW	G2SCC100-050SKW	1	1/2	1 3/4	3	1/4-28	1/4	1/8
G2SCC-100-075KW	G2SCC100-075SKW	1	3/4	1 3/4	3	1/4-28	1/4	3/16
G2SCC-100-100KW	G2SCC100-100SKW	1	1	1 3/4	3	1/4-28	1/4	1/4
G2SCC-112-100KW	G2SCC112-100SKW	1 1/8	1	1 7/8	3 1/8	1/4-28	1/4	1/4
G2SCC-112-112KW	G2SCC112-112SKW	1 1/8	1 1/8	1 7/8	3 1/8	1/4-28	1/4	1/4
G2SCC-125-100KW	G2SCC125-100SKW	1 1/4	1	2 1/16	3 1/4	1/4-28	1/4	1/4
G2SCC-125-125KW	G2SCC125-125SKW	1 1/4	1 1/4	2 1/16	3 1/4	1/4-28	1/4	1/4
G2SCC-137-100KW	G2SCC137-100SKW	1 3/8	1	2 1/2	3 5/8	1/4-28	5/16	1/4
G2SCC-137-137KW	G2SCC137-137SKW	1 3/8	1 3/8	2 1/2	3 5/8	1/4-28	5/16	5/16
G2SCC-150-100KW	G2SCC150-100SKW	1 1/2	1	2 5/8	3 7/8	5/16-24	3/8	1/4
G2SCC-150-150KW	G2SCC150-150SKW	1 1/2	1 1/2	2 5/8	3 7/8	5/16-24	3/8	3/8
G2SCC-175-175KW		1 3/4	1 3/4	3 1/8	4 1/2	3/8-24	3/8	3/8
G2SCC-200-200KW	G2SCC200-200SKW	2	2	3 3/8	4 7/8	3/8-24	1/2	1/2

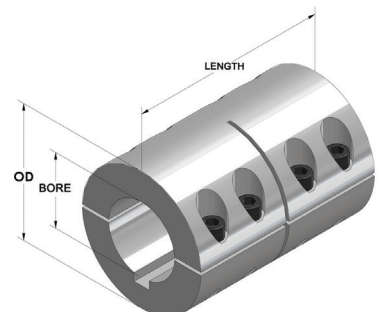
G2SCC-KW-SERIES

TWO-PIECE WITH KEYWAY

High axial load and torque capacity

Does not mar the shaft

Other sizes and materials available



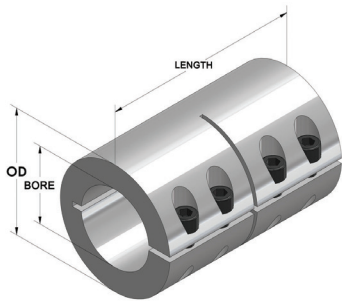
METRIC CLAMPING COUPLING



GMSCC-SERIES

METRIC ONE-PIECE

High axial load and torque capacity
Does not mar the shaft
Other sizes and materials available

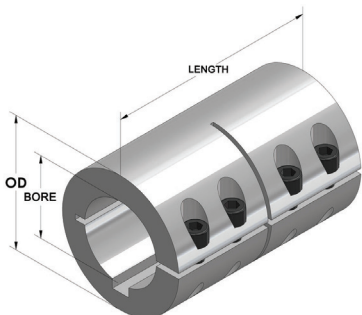


PART NUMBER		PRODUCT SPECIFICATIONS				
BLACK OXIDE STEEL	STAINLESS STEEL	BORE SIZE	2ND BORE SIZE	OD	LENGTH	CLAMP SCREW
GMSCC-06-06	GMSCC-06-06-S	6	6	18	30	M3
GMSCC-08-08	GMSCC-08-08-S	8	8	24	35	M3
GMSCC-09-09	GMSCC-09-09-S	9	9	29	45	M4
GMSCC-10-10	GMSCC-10-10-S	10	10	29	45	M4
GMSCC-12-12	GMSCC-12-12-S	12	12	29	45	M4
GMSCC-14-14	GMSCC-14-14-S	14	14	34	50	M5
GMSCC-15-15	GMSCC-15-15-S	15	15	34	50	M5
GMSCC-16-16	GMSCC-16-16-S	16	16	34	50	M5
GMSCC-20-20	GMSCC-20-20-S	20	20	42	65	M6
GMSCC-25-25	GMSCC-25-25-S	25	25	45	75	M6
GMSCC-30-30	GMSCC-30-30-S	30	30	53	83	M6
GMSCC-35-35	GMSCC-35-35-S	35	35	67	95	M8
GMSCC-40-40	GMSCC-40-40-S	40	40	77	108	M8
GMSCC-50-50		50	50	85	124	M10

GMSCC-KW-SERIES

METRIC ONE-PIECE WITH KEYWAY

High axial load and torque capacity
Does not mar the shaft
Other sizes and materials available



PART NUMBER		PRODUCT SPECIFICATIONS						
BLACK OXIDE STEEL	STAINLESS STEEL	BORE SIZE	2ND BORE SIZE	OD	LENGTH	CLAMP SCREW	KEYWAY SIZE	2ND KEYWAY SIZE
GMSCC-12-12-KW	GMSCC-12-12-SKW	12	12	29	45	M4	4	4
GMSCC-14-14-KW	GMSCC-14-14-SKW	14	14	34	50	M5	5	5
GMSCC-15-15-KW	GMSCC-15-15-SKW	15	15	34	50	M5	5	5
GMSCC-16-16-KW	GMSCC-16-16-SKW	16	16	34	50	M5	5	5
GMSCC-20-20-KW	GMSCC-20-20-SKW	20	20	42	65	M6	6	6
GMSCC-25-25-KW	GMSCC-25-25-SKW	25	25	45	75	M6	8	8
GMSCC-30-30-KW	GMSCC-30-30-SKW	30	30	53	83	M6	8	8
GMSCC-35-35-KW	GMSCC-35-35-SKW	35	35	67	95	M8	10	10
GMSCC-40-40-KW	GMSCC-40-40-SKW	40	40	77	108	M8	12	12
GMSCC-50-50-KW		50	50	85	124	M10	14	14

PART NUMBER		PRODUCT SPECIFICATIONS				
BLACK OXIDE STEEL	STAINLESS STEEL	BORE SIZE	2ND BORE SIZE	OD	LENGTH	CLAMP SCREW
G2MSCC-06-06	G2MSCC-06-06-S	6	6	18	30	M3
G2MSCC-08-08	G2MSCC-08-08-S	8	8	24	35	M3
G2MSCC-09-09	G2MSCC-09-09-S	9	9	24	35	M3
G2MSCC-10-10	G2MSCC-10-10-S	10	10	29	45	M4
G2MSCC-12-12	G2MSCC-12-12-S	12	12	29	45	M4
G2MSCC-14-14	G2MSCC-14-14-S	14	14	34	50	M5
G2MSCC-15-15	G2MSCC-15-15-S	15	15	34	50	M5
G2MSCC-16-16	G2MSCC-16-16-S	16	16	34	50	M5
G2MSCC-20-20	G2MSCC-20-20-S	20	20	42	65	M6
G2MSCC-25-25	G2MSCC-25-25-S	25	25	45	75	M6
G2MSCC-30-30	G2MSCC-30-30-S	30	30	53	83	M6
G2MSCC-35-35	G2MSCC-35-35-S	35	35	67	95	M8
G2MSCC-40-40	G2MSCC-40-40-S	40	40	77	108	M8
G2MSCC-50-50		50	50	85	124	M10



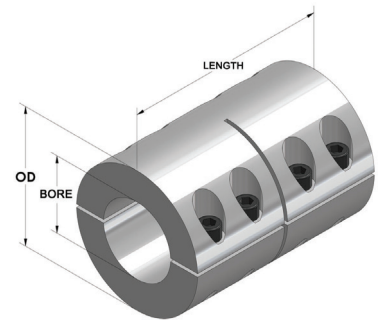
G2MSCC-SERIES

METRIC TWO-PIECE

High axial load and torque capacity

Does not mar the shaft

Other sizes and materials available



PART NUMBER		PRODUCT SPECIFICATIONS						
BLACK OXIDE STEEL	STAINLESS STEEL	BORE SIZE	2ND BORE SIZE	OD	LENGTH	CLAMP SCREW	KEYWAY SIZE	2ND KEYWAY SIZE
G2MSCC-12-12-KW	G2MSCC-12-12SKW	12	12	29	45	M4	4	4
G2MSCC-14-14-KW	G2MSCC-14-14SKW	14	14	34	50	M5	5	5
G2MSCC-15-15-KW	G2MSCC-15-15SKW	15	15	34	50	M5	5	5
G2MSCC-16-16-KW	G2MSCC-16-16SKW	16	16	34	50	M5	5	5
G2MSCC-20-20-KW	G2MSCC-20-20SKW	20	20	42	65	M6	6	6
G2MSCC-25-25-KW	G2MSCC-25-25SKW	25	25	45	75	M6	8	8
G2MSCC-30-30-KW	G2MSCC-30-30SKW	30	30	53	83	M6	8	8
G2MSCC-35-35-KW	G2MSCC-35-35SKW	35	35	67	95	M8	10	10
G2MSCC-40-40-KW	G2MSCC-40-40SKW	40	40	77	108	M8	12	12
G2MSCC-50-50-KW		50	50	85	124	M10	14	14

G2MSCC-KW-SERIES

METRIC TWO-PIECE WITH KEYWAY

High axial load and torque capacity

Does not mar the shaft

Other sizes and materials available

