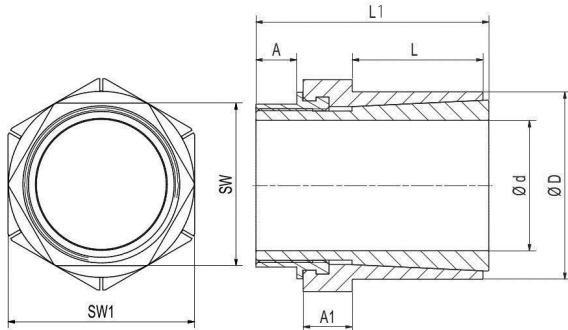


Series C801 Single Nut Locking Assembly

Climax C801 single nut locking assemblies deliver a mechanical interference fit and provide a high torque capacity without the backlash of traditional keyed connections.

Climax Series C801 Features:

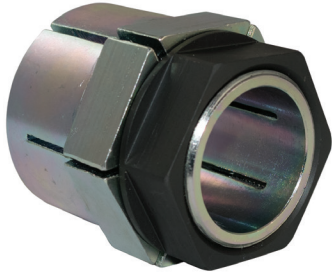
- Single nut design allows for quick and simple installation
- Lower contact pressure
- Limited axial movement of mounted component during installation
- Zinc plated for corrosion resistance
- Imperial shaft sizes 5/8" to 3" and metric sizes 15mm to 75mm
- Available from stock in Mentor, Ohio
- Shaft and bore tolerance on all sizes: ± .003



INCH

Climax Part No.	Shaft Size (in)	d (in)	D (in)	L (in)	L ₁ (in)	SW (in)	SW1 (in)	A (in)	A1 (in)	M _a (ft-lb)	M _t (ft-lb)	F _{ax} (lb.F)	P _s (psi)	P _h (psi)
C801E-062	5/8	0.625	1.500	0.750	1.500	1.250	1.500	0.313	0.313	100	169	6,504	36,807	15,336
C801E-068	11/16	0.688	1.500	0.750	1.500	1.250	1.500	0.313	0.313	100	186	6,504	33,461	15,336
C801E-075	3/4	0.750	1.500	0.750	1.500	1.250	1.500	0.313	0.313	100	203	6,504	30,673	15,336
C801E-081	13/16	0.813	1.750	0.875	1.875	1.500	1.750	0.438	0.375	125	230	6,806	25,387	11,787
C801E-087	7/8	0.875	1.750	0.875	1.875	1.500	1.750	0.438	0.375	125	248	6,806	23,573	11,787
C801E-093	15/16	0.938	1.750	0.875	1.875	1.500	1.750	0.438	0.375	125	266	6,806	22,002	11,787
C801E-100	1	1.000	1.750	0.875	1.875	1.500	1.750	0.438	0.375	125	284	6,806	20,627	11,787
C801E-106	1 1/16	1.063	2.000	1.000	2.250	1.750	2.000	0.500	0.563	167	345	7,798	19,468	10,342
C801E-112	1 1/8	1.125	2.000	1.000	2.250	1.750	2.000	0.500	0.563	167	366	7,798	18,386	10,342
C801E-118	1 3/16	1.188	2.000	1.000	2.250	1.750	2.000	0.500	0.563	167	386	7,798	17,419	10,342
C801E-125	1 1/4	1.250	2.000	1.000	2.250	1.750	2.000	0.500	0.563	167	406	7,798	16,548	10,342
C801E-131	1 5/16	1.313	2.375	1.500	2.750	2.000	2.375	0.563	0.500	192	428	7,823	10,540	5,825
C801E-137	1 3/8	1.375	2.375	1.500	2.750	2.000	2.375	0.563	0.500	192	448	7,823	10,061	5,825
C801E-143	1 7/16	1.438	2.375	1.500	2.750	2.000	2.375	0.563	0.500	192	469	7,823	9,623	5,825
C801E-150	1 1/2	1.500	2.375	1.500	2.750	2.000	2.375	0.563	0.500	192	489	7,823	9,222	5,825
C801E-156	1 9/16	1.563	2.625	1.688	3.125	2.250	2.625	0.563	0.688	234	544	8,359	8,410	5,006
C801E-162	1 5/8	1.625	2.625	1.688	3.125	2.250	2.625	0.563	0.688	234	566	8,359	8,086	5,006
C801E-168	1 11/16	1.688	2.625	1.688	3.125	2.250	2.625	0.563	0.688	234	588	8,359	7,787	5,006
C801E-175	1 3/4	1.750	2.625	1.688	3.125	2.250	2.625	0.563	0.688	234	609	8,359	7,509	5,006
C801E-181	1 13/16	1.813	2.875	2.000	3.563	2.500	2.875	0.625	0.750	409	965	12,775	9,348	5,894
C801E-187	1 7/8	1.875	2.875	2.000	3.563	2.500	2.875	0.625	0.750	409	998	12,775	9,037	5,894
C801E-193	1 15/16	1.938	2.875	2.000	3.563	2.500	2.875	0.625	0.750	409	1,031	12,775	8,745	5,894
C801E-200	2	2.000	2.875	2.000	3.563	2.500	2.875	0.625	0.750	409	1,065	12,775	8,472	5,894
C801E-206	2 1/16	2.063	3.125	2.125	3.750	2.750	3.125	0.625	0.813	442	1,118	13,007	7,871	5,195
C801E-212	2 1/8	2.125	3.125	2.125	3.750	2.750	3.125	0.625	0.813	442	1,152	13,007	7,640	5,195
C801E-218	2 3/16	2.188	3.125	2.125	3.750	2.750	3.125	0.625	0.813	442	1,186	13,007	7,422	5,195
C801E-225	2 1/4	2.250	3.125	2.125	3.750	2.750	3.125	0.625	0.813	442	1,219	13,007	7,215	5,195
C801E-231	2 5/16	2.313	3.375	2.250	3.875	3.000	3.375	0.688	0.750	467	1,213	12,585	6,416	4,396
C801E-237	2 3/8	2.375	3.375	2.250	3.875	3.000	3.375	0.688	0.750	467	1,245	12,585	6,247	4,396
C801E-243	2 7/16	2.438	3.375	2.250	3.875	3.000	3.375	0.688	0.750	467	1,278	12,585	6,087	4,396
C801E-250	2 1/2	2.500	3.375	2.250	3.875	3.000	3.375	0.688	0.750	467	1,311	12,585	5,934	4,396
C801E-256	2 9/16	2.563	3.625	2.375	4.063	3.250	3.625	0.688	0.813	500	1,303	12,205	5,319	3,760
C801E-262	2 5/8	2.625	3.625	2.375	4.063	3.250	3.625	0.688	0.813	500	1,335	12,205	5,192	3,760
C801E-268	2 11/16	2.688	3.625	2.375	4.063	3.250	3.625	0.688	0.813	500	1,367	12,205	5,072	3,760
C801E-275	2 3/4	2.750	3.625	2.375	4.063	3.250	3.625	0.688	0.813	500	1,398	12,205	4,956	3,760
C801E-281	2 13/16	2.813	3.875	2.500	4.250	3.500	3.875	0.750	0.813	550	1,453	12,402	4,679	3,396
C801E-287	2 7/8	2.875	3.875	2.500	4.250	3.500	3.875	0.750	0.813	550	1,486	12,402	4,577	3,396
C801E-293	2 15/16	2.938	3.875	2.500	4.250	3.500	3.875	0.750	0.813	550	1,518	12,402	4,480	3,396
C801E-300	3	3.000	3.875	2.500	4.250	3.500	3.875	0.750	0.813	550	1,550	12,402	4,386	3,396

* All dimensions and capacities are subject to change without notice.

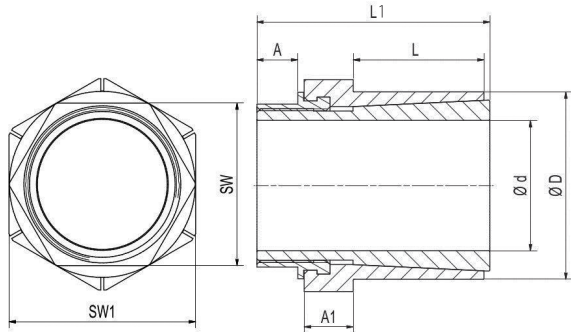


Series C801 Single Nut Locking Assembly

Climax C801 single nut locking assemblies deliver a mechanical interference fit and provide a high torque capacity without the backlash of traditional keyed connections.

Climax Series C801 Features:

- Single nut design allows for quick and simple installation
- Lower contact pressure
- Limited axial movement of mounted component during installation
- Zinc plated for corrosion resistance
- Imperial shaft sizes 5/8" to 3" and metric sizes 15mm to 75mm
- Available from stock in Mentor, Ohio
- Shaft and bore tolerance on all sizes: ± .003



METRIC

Climax Part No.	Shaft Size (mm)	d (in)	D (mm)	L (mm)	L ₁ (mm)	SW (mm)	SW1 (in)	A (mm)	A1 (mm)	M _a (Nm)	M _t (Nm)	F _{ax} (kN)	P _s (psi)	P _h (psi)
C801M-015	15	0.591	38	19.1	38.1	32	1.500	8	8.9	136	218	29	39,013	15,373
C801M-016	16	0.630	38	19.1	38.1	32	1.500	8	8.9	136	232	29	36,548	15,374
C801M-017	17	0.669	38	19.1	38.1	32	1.500	8	8.9	136	247	29	34,372	15,374
C801M-018	18	0.709	38	19.1	38.1	32	1.500	8	8.9	136	261	29	32,487	15,374
C801M-019	19	0.748	38	19.1	38.1	32	1.500	8	8.9	136	276	29	30,746	15,374
C801M-020	20	0.787	45	22.2	47.6	38	1.750	11.1	9.5	170	304	30	26,250	11,748
C801M-022	22	0.866	45	22.2	47.6	38	1.750	11.1	9.5	170	334	30	23,930	11,748
C801M-024	24	0.945	45	22.2	47.6	38	1.750	11.1	9.5	170	364	30	21,900	11,748
C801M-025	25	0.984	45	22.2	47.6	38	1.750	11.1	9.5	170	380	30	21,029	11,748
C801M-028	28	1.102	51	25.4	57.2	46	2.000	12.7	14.3	225	483	34	18,709	10,298
C801M-030	30	1.181	51	25.4	57.2	46	2.000	12.7	14.3	225	517	34	17,404	10,298
C801M-032	32	1.260	51	25.4	57.2	46	2.000	12.7	14.3	225	552	34	16,243	10,298
C801M-034	34	1.339	60.5	38.1	69.9	50	2.375	14.3	12.7	260	591	35	10,297	5,802
C801M-035	35	1.378	60.5	38.1	69.9	50	2.375	14.3	12.7	260	608	35	10,007	5,802
C801M-036	36	1.417	60.5	38.1	69.9	50	2.375	14.3	12.7	260	626	35	9,717	5,802
C801M-038	38	1.496	60.5	38.1	69.9	50	2.375	14.3	12.7	260	660	35	9,282	5,802
C801M-040	40	1.575	67	42.9	79.4	60	2.625	14.3	17.5	316	741	37	8,267	4,931
C801M-042	42	1.654	67	42.9	79.4	60	2.625	14.3	17.5	316	778	37	7,977	4,931
C801M-045	45	1.772	73	50.8	90.5	65	2.875	15.9	19.1	554	1,277	57	9,572	5,947
C801M-048	48	1.890	73	50.8	90.5	65	2.875	15.9	19.1	554	1,363	57	8,992	5,947
C801M-050	50	1.969	73	50.8	90.5	65	2.875	15.9	19.1	554	1,419	57	8,557	5,947
C801M-055	55	2.165	80	54.0	95.3	70	3.126	15.9	19.1	600	1,593	58	7,542	5,221
C801M-060	60	2.362	86	57.2	98.4	75	3.374	17.5	20.7	635	1,684	56	6,236	4,351
C801M-065	65	2.559	92	60.3	103.2	82	3.626	17.5	20.7	680	1,770	54	5,366	3,771
C801M-070	70	2.756	92	60.3	103.2	82	3.626	17.5	20.7	680	1,906	54	4,931	3,771
C801M-075	75	2.953	100	63.5	108.0	90	3.874	17.5	20.7	750	2,081	55	4,496	3,336

* All dimensions and capacities are subject to change without notice.