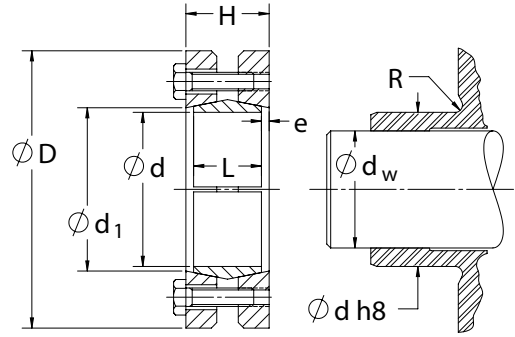




CLIMAX SHRINK DISCS

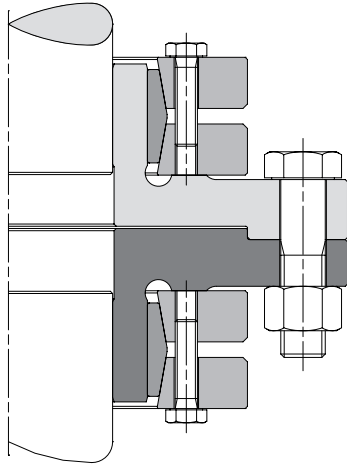
- External keyless locking device
- Standard and Heavy Duty designs
- Inherently balanced for high speed applications
- Preferred solution for coupling hubs and hollow shaft gearboxes



Series C733 - Standard Duty

CLIMAX Part No.	d	d _w -min	d _w -max	M _t (ft-lbs) for		Locking Screws DIN 931 Grade 10.9			D	L	H	e	d ₁	R
				d _w -min	d _w -max	Qty.	Size	M _a (ft-lbs)						
C733M-14	0.551	0.375	0.451	22	55	3	M5 x 12	3	1.50	0.394	0.59	0.098	0.591	1/32
C733M-16	0.630	0.438	0.516	21	58	3	M5 x 16	3	1.61	0.472	0.67	0.098	0.669	1/32
C733M-18	0.709	0.500	0.580	52	99	4	M5 x 16	3	1.73	0.472	0.67	0.098	0.748	1/32
C733M-20	0.787	0.500	0.645	55	148	5	M5 x 16	3	1.81	0.472	0.67	0.098	0.866	1/32
C733M-24	0.945	0.625	0.774	97	215	6	M5 x 16	3	1.97	0.551	0.71	0.079	1.024	1/16
C733M-30	1.181	0.750	0.967	122	316	7	M5 x 18	3	2.36	0.630	0.79	0.079	1.260	1/16
C733M-36	1.417	0.875	1.161	319	675	5	M6 x 20	9	2.83	0.709	0.87	0.079	1.496	1/16
C733M-44	1.732	1.125	1.419	694	1,215	7	M6 x 20	9	3.15	0.787	0.94	0.079	1.850	1/16
C733M-50	1.969	1.375	1.612	982	1,590	8	M6 x 22	9	3.54	0.866	1.06	0.098	2.087	1/16
C733M-55	2.165	1.500	1.773	1,032	1,734	8	M6 x 25	9	3.94	0.906	1.14	0.118	2.283	3/32
C733M-62	2.441	1.750	1.999	1,746	2,412	10	M6 x 25	9	4.33	0.906	1.14	0.118	2.598	3/32
C733M-68	2.677	1.875	2.193	1,790	2,646	10	M6 x 25	9	4.53	0.906	1.14	0.118	2.835	3/32
C733M-75	2.953	2.125	2.418	2,808	4,079	7	M8 x 25	22	5.43	0.984	1.22	0.118	3.110	1/8
C733M-80	3.150	2.375	2.580	3,435	4,351	7	M8 x 25	22	5.71	0.984	1.22	0.118	3.307	1/8
C733M-90	3.543	2.500	2.902	4,779	7,175	10	M8 x 30	22	6.10	1.181	1.50	0.157	3.701	1/8
C733M-100	3.937	2.875	3.224	7,098	9,638	12	M8 x 35	22	6.69	1.339	1.69	0.177	4.094	1/8
C733M-110	4.331	3.125	3.547	8,873	12,421	9	M10 x 40	44	7.28	1.535	1.93	0.197	4.488	1/8
C733M-125	4.921	3.500	4.031	13,504	19,262	12	M10 x 40	44	8.46	1.654	2.09	0.217	5.276	1/8
C733M-140	5.512	4.000	4.514	19,544	26,310	10	M12 x 45	74	9.06	1.811	2.28	0.236	5.709	3/16
C733M-155	6.102	4.500	4.998	27,370	33,868	12	M12 x 50	74	10.35	1.969	2.44	0.236	6.496	3/16
C733M-165	6.496	4.875	5.320	37,487	46,845	8	M16 x 55	184	11.42	2.205	2.68	0.236	6.890	3/16
C733M-175	6.890	5.250	5.643	41,348	49,685	8	M16 x 55	184	11.81	2.205	2.68	0.236	7.283	3/16
C733M-185	7.283	5.625	5.965	56,434	65,556	10	M16 x 65	184	12.99	2.795	3.35	0.276	7.677	3/16
C733M-195	7.677	5.875	6.288	71,451	84,390	12	M16 x 65	184	13.78	2.795	3.35	0.276	8.110	3/16
C733M-200	7.874	6.250	6.449	80,170	86,554	12	M16 x 65	184	13.78	2.795	3.35	0.276	8.110	3/16
C733M-220	8.661	6.375	7.094	91,633	115,673	15	M16 x 80	184	14.57	3.465	4.09	0.315	8.898	1/4
C733M-240	9.449	7.000	7.739	130,075	161,101	12	M20 x 80	361	15.94	3.622	4.25	0.315	9.764	1/4
C733M-260	10.236	7.625	8.383	161,469	204,411	14	M20 x 90	361	16.93	4.055	4.69	0.315	10.551	1/4
C733M-280	11.024	8.375	9.028	209,648	252,319	16	M20 x 100	361	18.11	4.488	5.20	0.354	11.339	5/16
C733M-300	11.811	9.000	9.673	256,147	305,461	18	M20 x 100	361	19.09	4.803	5.51	0.354	12.126	5/16
C733M-320	12.598	9.625	10.318	309,145	358,190	20	M20 x 100	361	20.47	4.803	5.51	0.354	12.913	5/16
C733M-340	13.386	10.250	10.963	389,660	459,821	24	M20 x 110	361	22.44	5.354	6.14	0.394	13.701	5/16
C733M-350	13.780	10.875	11.285	430,793	472,106	24	M20 x 110	361	22.83	5.512	6.30	0.394	14.488	5/16
C733M-360	14.173	11.250	11.608	449,436	485,595	24	M20 x 110	361	23.23	5.512	6.30	0.394	14.488	5/16
C733M-380	14.961	11.500	12.253	534,665	622,638	20	M24 x 120	620	25.39	5.669	6.46	0.394	15.276	5/16

All dimensions are shown in inches unless stated otherwise. All dimensions and capacities are subject to change without notice.



CLIMAX SHRINK DISCS

CLIMAX Series C733 Standard Duty Shrink Discs connect flanged coupling halves. CLIMAX can also supply both complete couplings and single mating flanges.



Series C732 - Heavy Duty

CLIMAX Part No.	d	d _w -min	d _w -max	M _t (ft-lbs) for		Locking Screws DIN 931 Grade 10.9			D	L	H	e	d ₁	R
						Qty.	Size	M _a (ft-lbs)						
C732M-40	1.575	1.000	1.290	620	1,180	4	M8 x 25	22	3.15	0.984	1.26	0.138	1.732	1/16
C732M-44	1.732	1.125	1.419	935	1,649	5	M8 x 30	22	3.35	1.142	1.34	0.098	1.890	1/16
C732M-50	1.969	1.375	1.612	1,772	2,764	7	M8 x 35	22	3.74	1.181	1.54	0.177	2.126	1/16
C732M-55	2.165	1.500	1.773	1,903	3,040	7	M8 x 35	22	4.13	1.181	1.54	0.177	2.323	1/16
C732M-62	2.441	1.750	1.999	2,367	3,263	7	M8 x 35	22	4.53	1.181	1.54	0.177	2.598	1/16
C732M-68	2.677	1.875	2.193	2,877	4,193	8	M8 x 35	22	4.72	1.181	1.54	0.177	2.834	3/32
C732M-75	2.953	2.125	2.418	4,478	6,436	7	M10 x 40	44	5.71	1.417	1.81	0.197	3.307	3/32
C732M-80	3.150	2.375	2.580	5,454	8,865	7	M10 x 40	44	5.71	1.417	1.81	0.197	3.307	3/32
C732M-90	3.543	2.500	2.902	5,849	8,863	8	M10 x 40	44	6.30	1.575	1.97	0.197	3.701	1/8
C732M-100	3.937	2.875	3.224	9,225	12,523	10	M10 x 45	44	6.69	1.732	2.13	0.197	4.094	1/8
C732M-110	4.331	3.125	3.547	11,930	16,639	12	M10 x 45	44	7.28	1.969	2.36	0.197	4.488	1/8
C732M-125	4.921	3.500	4.031	19,984	28,242	12	M12 x 50	74	8.46	2.126	2.60	0.236	5.157	3/16
C732M-140	5.512	4.000	4.514	23,149	31,334	12	M12 x 60	74	9.06	2.362	2.91	0.276	5.748	3/16
C732M-155	6.102	4.500	4.998	33,973	42,047	15	M12 x 60	74	10.35	2.598	3.15	0.276	6.614	3/16
C732M-165	6.496	4.875	5.320	46,646	58,382	10	M16 x 70	184	11.42	2.835	3.46	0.315	6.890	3/16
C732M-175	6.890	5.250	5.643	51,464	61,920	10	M16 x 70	184	11.81	2.835	3.46	0.315	7.283	3/16
C732M-185	7.283	5.625	5.965	86,296	99,759	15	M16 x 80	184	12.99	3.622	4.41	0.394	7.677	3/16
C732M-195	7.677	5.875	6.288	88,918	105,151	15	M16 x 80	184	13.78	3.622	4.41	0.394	8.110	1/4
C732M-200	7.874	6.250	6.449	99,837	107,847	15	M16 x 80	184	13.78	3.622	4.41	0.394	8.110	1/4
C732M-220	8.661	6.375	7.094	122,664	154,750	20	M16 x 90	184	14.57	4.488	5.28	0.394	8.898	1/4
C732M-240	9.449	7.000	7.739	161,804	200,526	15	M20 x 100	361	15.94	4.724	5.67	0.472	9.685	1/4
C732M-260	10.236	7.625	8.383	206,795	262,157	18	M20 x 110	361	16.93	5.354	6.30	0.472	10.551	1/4
C732M-280	11.024	8.375	9.028	260,761	314,308	20	M20 x 120	361	18.11	5.827	6.77	0.472	11.339	5/16
C732M-300	11.811	9.000	9.673	280,470	335,909	20	M20 x 120	361	19.09	5.984	6.93	0.472	12.126	5/16
C732M-320	12.598	9.625	10.318	367,340	425,978	24	M20 x 120	361	20.47	6.299	7.24	0.472	12.913	5/16
C732M-340	13.386	10.250	10.963	462,664	547,471	20	M24 x 130	620	22.44	6.929	7.87	0.472	13.701	5/16
C732M-350	13.780	10.875	11.285	542,470	594,477	21	M24 x 130	620	22.83	6.929	7.87	0.472	14.094	5/16
C732M-360	14.173	11.250	11.608	534,699	578,401	20	M24 x 140	620	23.23	7.087	8.03	0.472	14.488	3/8

For C733 and C732 Series Shrink Discs

Shaft Diameter d _w (inches)		T _w = Max. Diametrical Clearance Between Shaft and Hub Bore
Over	To and Including	
	1 1/8	0.0010
1 1/8	1 15/16	0.0015
1 15/16	4 3/4	0.0020
4 3/4	7	0.0030
7	10	0.0040
10	14	0.0050
14		0.0060

All dimensions are shown in inches unless stated otherwise. All dimensions and capacities are subject to change without notice.